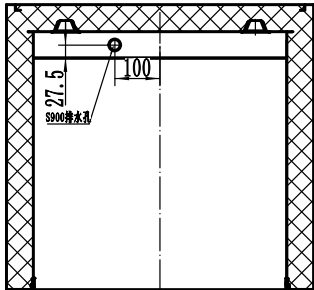
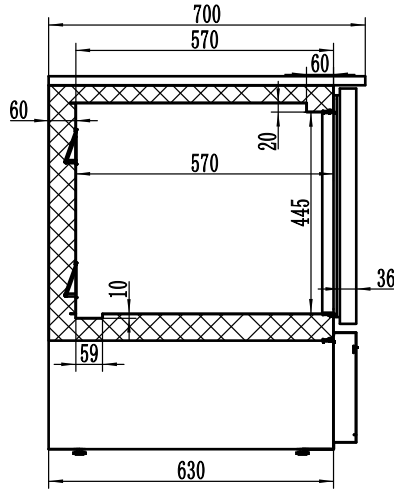
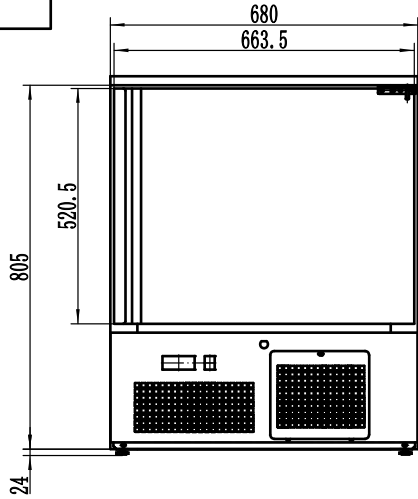


HSI 011



OUT SIDE G-140PT/ NT /FISH

備(備)用 件 登 記	
印刷圖總号	
底圖總号	
簽 字	
日 期	
繪圖員	日期

Drawn By: XU	SKU Code(s)
Date: 25/11/2019	UA010 (G-140PT)
Sheet: 1	UA011 (G-140NT)
	UA013 (G-140FISH)
Drawing Title	
Polar 'U SERIES' Undercounter Fridge (UA010)	
Polar 'U SERIES' Undercounter Freezer (UA011)	
Polar 'U SERIES' Undercounter Fish Fridge (UA013)	
Status:	Rev: 1