



Display Refrigerator/ Freezer

Instruction manual



(EN) Refrigerators/Freezers	2	(DE) Kühlschrank/Gefrierschrank	29
<u>Instruction manual</u>		<u>Bedienungsanleitung</u>	
(NL) Koelkast/Vrieskast	11	(IT) Frigorifero/Congelatore	38
<u>Handleiding</u>		<u>Manuale di istruzioni</u>	
(FR) Armoire positive/négative	20	(ES) Frigorífico/Congelador	47
<u>Mode d'emploi</u>		<u>Manual de instrucciones</u>	

**Model • Model • Modèle • Modell • Modello • Modelo:
CD086/CD087/CD088/CB921**

Safety Instructions

- Position on a flat, stable surface.
- A service agent/qualified technician should carry out installation and any repairs if required. Do not remove any components or service panels on this product.
- Consult Local and National Standards to comply with the following:
 - Health and Safety at Work Legislation
 - BS EN Codes of Practice
 - Fire Precautions
 - IEE Wiring Regulations
 - Building Regulations
- DO NOT use jet/pressure washers to clean the appliance.
- DO NOT use the appliance outside.
- DO NOT use this appliance to store medical supplies.
- DO NOT allow oil or fat to come into contact with the plastic components or door seal. Clean immediately if contact occurs.
- DO NOT store products on top of the appliance.
- Bottles that contain a high percentage of alcohol must be sealed and placed vertically in the refrigerator.
- Always carry, store and handle the appliance in a vertical position and move by holding the base of the appliance.
- Always switch off and disconnect the power supply to the unit before cleaning.
- Keep all packaging away from children. Dispose of the packaging in accordance with the regulations of local authorities.
- If the power cord is damaged, it must be replaced by a POLAR agent or a recommended qualified technician in order to avoid a hazard.
- Children should be supervised to ensure that they do not play with the appliance.

- This appliance is not intended for use by persons (including children) with reduced physical, sensory or mental capabilities, or lack of experience or knowledge, unless they have been given supervision or instruction concerning the use of the appliance by a person responsible for their safety.
- POLAR recommend that this appliance should be periodically tested (at least annually) by a Competent Person. Testing should include, but not be limited to: Visual Inspection, Polarity Test, Earth Continuity, Insulation Continuity and Functional Testing.
- POLAR recommend that this product is connected to a circuit protected by an appropriate RCD (Residual Current Device).

Caution: Risk of Fire



- Do not store explosive substances such as aerosol cans with a flammable propellant in this appliance.



Warning: Keep all ventilation openings clear of obstruction. Unit should not be boxed in without adequate ventilation.

- **Warning:** Do not use mechanical devices or other means to accelerate the defrosting process, other than those recommended by the manufacturer.
- **Warning:** Do not damage the refrigerant circuit.
- **Warning:** Do not use electrical appliances inside the food storage compartments of the appliance.

Introduction

Please take a few moments to carefully read through this manual. Correct maintenance and operation of this machine will provide the best possible performance from your POLAR product.

Pack Contents

The following is included:

- POLAR Refrigerator / Freezer
- Shelves
- Keys x 2
- Spacers x 2
- Instruction Manual

POLAR prides itself on quality and service, ensuring that at the time of unpacking the contents are supplied fully functional and free of damage.

Should you find any damage as a result of transit, please contact your POLAR dealer immediately.

Installation

Note: A bracket is used to support the door during transportation. On receipt please remove the bracket.

Note: Not for use in vans or trailers, food trucks or similar vehicles.

If the unit has not been stored or moved in an upright position, let it stand upright for approximately 12 hours before operation. If in doubt allow to stand.

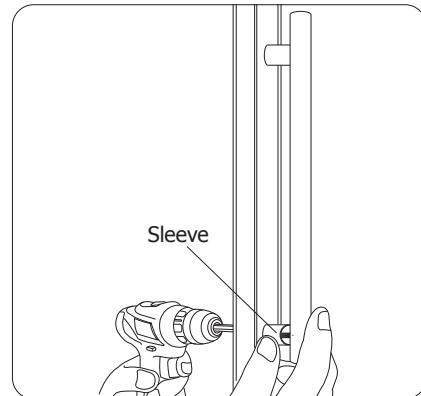
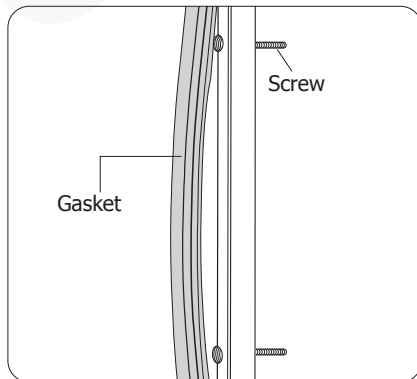
1. Remove the appliance from the packaging. Make sure that all protective plastic film and coatings are thoroughly removed from all surfaces.
2. To optimize performance and longevity, ensure a minimum clearance of 2.5cm is maintained between the unit and walls and other objects, with a minimum 20cm clearance on the top. **NEVER LOCATE NEXT TO A HEAT SOURCE.**

Note: Before using the appliance for the first time, clean the shelves and interior with soapy water then dry well.

The appliance is supplied with feet by default. However, castors can be supplied as an option.

Mounting the door handle

1. Pull the door gasket aside to expose the 2 pre-drilled holes. Insert the screws.
2. Mount sleeve on the other end of screw. Tighten screws to fix the handle in place.

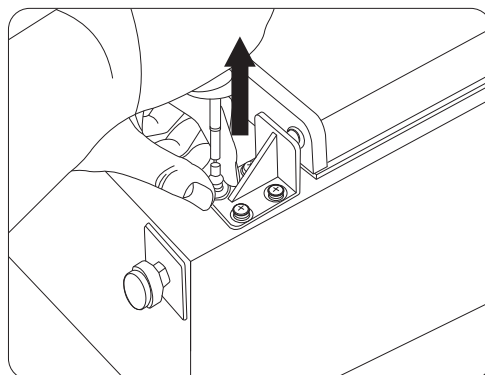
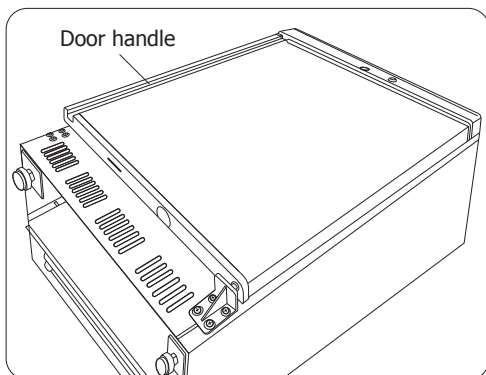


Reversing the door (excluding model CB921)

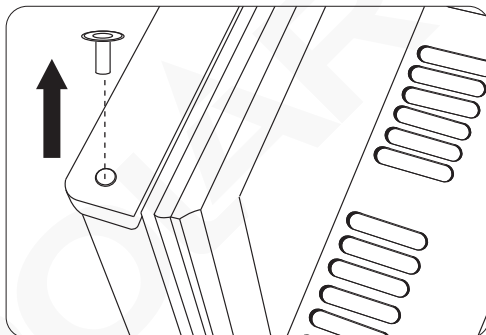
Depending on the location of the appliance, it may be necessary to change the direction the door opens by changing the side of the door handle. (Tip: Images in this section are for illustration only and may slightly differ from the actual appliance appearances.)

To reverse the door handle:

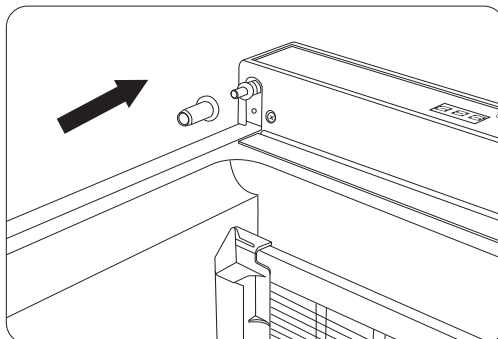
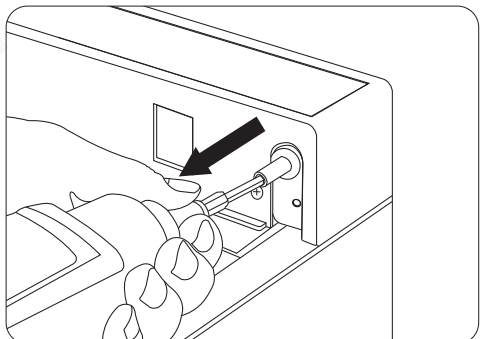
1. The door handle is on the left side. Disassemble the right lower hinge.



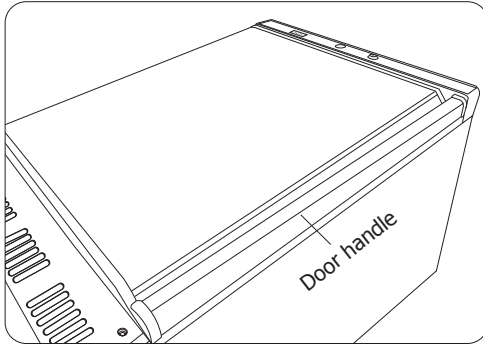
2. Remove the door from the right upper hinge. Then remove the hinge sleeve from the door top.



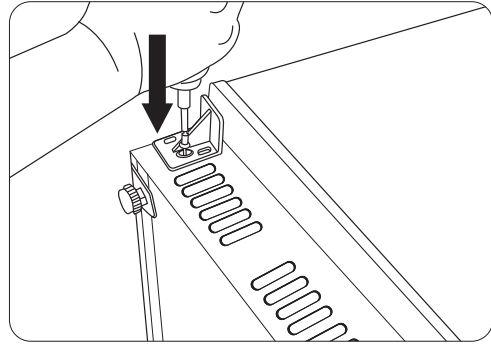
3. Remove the right upper hinge and install it on the left side. Afterwards, install the hinge sleeve onto the hinge.



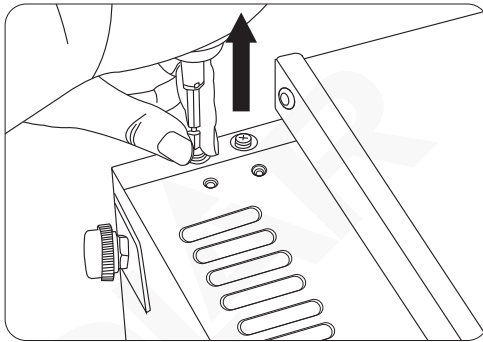
4. Reverse the door and hang it onto the left upper hinge.



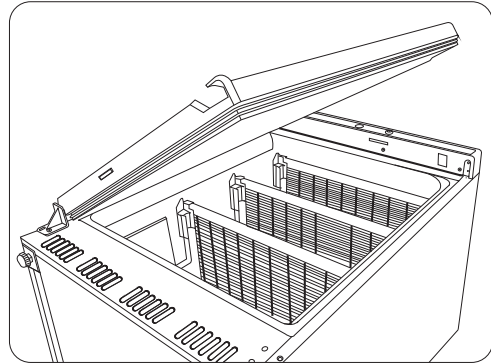
7. Secure the hinge in place using the previously removed screws.



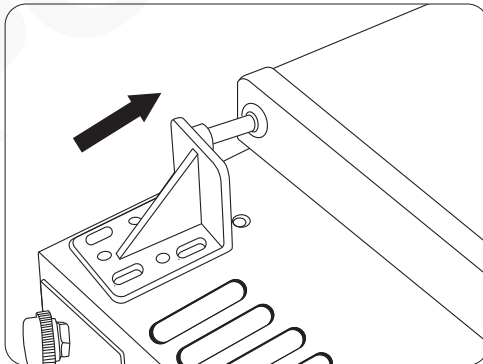
5. Remove the pre-mounted screws on the left lower side.



8. Now the door handle is installed on the right side.



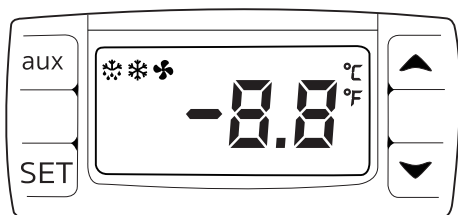
6. Install the previously removed right lower hinge on the left side.



Operation

Control Panel

The control panel is located on the front of the appliance.



Turn On

1. Close the door of the appliance.
2. Connect the appliance to a mains power supply.

Set the Operating Temperature

1. Press the **SET** button for 3 seconds. The display will flash.
2. Press the ▲ or ▼ buttons to display the required temperature.
3. Press the **SET** button to store the temperature.

Manual Defrost

Press and hold the defrost button "aux" for 2 seconds to begin a manual defrost. The defrost light illuminates.

The defrost cycle will end automatically.

Storing Food

To get the best results from your POLAR appliance, follow these instructions:

- Only store foodstuffs in the appliance when it has reached the correct operating temperature.
- Do not place uncovered items as below inside the appliance, as this can lead to a damaged and leaking evaporator, and thus void your warranty: hot food, hot liquids, acidic fluids, acidic products.
- Wrap or cover food where possible.
- Do not obstruct the fans inside the appliance.
- Avoid opening the doors for prolonged periods of time.

Lock/Unlock the Doors

- A lock is fitted to the doors to ensure foodstuffs are kept secure within your POLAR appliance.
- Use the keys provided to lock/unlock the door.

Cleaning, Care & Maintenance

- Switch off and disconnect from the power supply before cleaning.
- Clean the interior of the appliance as often as possible.
- Do not use abrasive cleaning agents. These can leave harmful residues.
- Clean the door seal with warm soapy water.
- Always wipe dry after cleaning.
- Do not allow water used in cleaning to run through the drain hole into the evaporation pan.
- Take care when cleaning the rear of the appliance. Sharp edges can cut.

Refrigerating tips:

- Condensation and ice will form with frequent and prolonged opening of the doors.
- Operating outside of the recommend temperature range and placing next to a heat source will also increase the amount of ice and internal/external condensation. If external condensation occurs wipe the surface down with a cloth.
- Excessive ice will result in longer running times that will increase energy consumption and increase the deterioration of components.
- If the gasket or seal is damaged or deformed, energy consumption will increase. To restore efficiency, replace gasket.
- Do not obstruct fans and do not exceed max load lines, as doing so will impact air distribution and increase energy usage.

Cleaning the Condenser

Periodically cleaning the condenser can extend the life of the appliance. POLAR recommend that a POLAR agent or qualified technician should clean the condenser.

Failure to clean the condenser will increase energy consumption, reduce the performance and life of your Polar unit, and thus may invalidate your warranty.

Troubleshooting

A qualified technician must carry out repairs if required.

Fault	Probable Cause	Solution
The appliance is not working	The unit is not switched on	Check the unit is plugged in correctly and switched on
	Plug or lead is damaged	Replace Plug or lead
	Fuse in the plug has blown	Replace the fuse
	Mains power supply fault	Check mains power supply
The appliance turns on, but the temperature is too high/low	Too much ice on the evaporator	Defrost the appliance
	Condenser blocked with dust	Clean the condenser
	Doors are not shut properly	Check doors are shut and seals are not damaged
	Appliance is located near a heat source or air flow to the condenser is being interrupted	Move the refrigerator to a more suitable location
	Ambient temperature is too high	Increase ventilation or move appliance to a cooler position
	Unsuitable foodstuffs are being stored in the appliance	Remove any excessive hot foodstuffs or blockages to the fan
	Appliance is overloaded	Reduce the amount of food stored in the appliance
The appliance is leaking water	The appliance is not properly levelled	Adjust the screw feet to level the appliance (if applicable)
	The discharge outlet is blocked	Clear the discharge outlet
The appliance is leaking water	Movement of water to the drain is obstructed	Clear the floor of the appliance (if applicable)
	The water container is damaged	Consult a qualified Technician
	The drip tray is overflowing	Empty the drip tray (if applicable)
The appliance is unusually loud	Loose nut/screw	Check and tighten all nuts and screws
	The appliance has not been installed in a level or stable position	Check installation position and change if necessary
Display lamp does not light	Lamp needing replacing	Consult a qualified Technician

Technical Specifications

Note: Due to our continuous improvement process, the product specifications are subject to change without notice.

Model	Voltage	Power	Current	Temperature Range	Gross Capacity (L)	Net usable capacity (L)	Refrigerant type / weight (kg)	Dimensions H x W x D mm	Weight (kg)
CD086	230V 50Hz	150W	1.1A	2°C ~ 8°C	150	118	R600a (0.035kg)	855 x 600 x 619	47
CD087		185W	1.5A	2°C ~ 8°C	400	246	R600a (0.090kg)	1850 x 600 x 600	72
CD088		185W	1.5A	2°C ~ 8°C	600	414	R600a (0.115kg)	1895 x 777 x 735	93
CB921		500W	2.35A	-10°C ~ -20°C	365	258	R290 (0.110kg)	1855 x 600 x 620	76

Impact of temperature settings on food waste:

In order to reduce food waste from decomposition or dehydration, this appliance should be operated in its designated operating range.

Optimum temperature for food storage: 4°C (CD086/CD086/CD088), -18°C (CB921)

To order spare parts please contact your Polar Stockist:

<https://www.polar-refrigerator.com/stockist>



Minimum period of spares parts to be available:

Door handles, door hinges, knobs, dials and buttons, door gaskets, peripheral trays, baskets and racks for storage, as appropriate to the appliance, will be made available to both end users and professional users for a minimum of eight years after the last unit of the model is placed on the market. A broader selection of parts will also be made available to Professional users for this period

Model information can be found on the product database:

<https://eprel.ec.europa.eu/screen/product/refrigeratingappliancesdirectsalesfunction>



Model information can be found on the product:

The Model Identifier can usually be found on the inside wall and on the reverse of the unit.

Note: Polar offers a 2 year minimum warranty, please contact the authorised representative for more details.

Electrical Wiring

The appliance is supplied with a 3 pin BS1363 plug and lead.

The plug is to be connected to a suitable mains socket.

The appliance is wired as follows:

- Live wire (coloured brown) to terminal marked L
- Neutral wire (coloured blue) to terminal marked N
- Earth wire (coloured green/yellow) to terminal marked E

This appliance must be earthed.



If in doubt consult a qualified electrician.

Electrical isolation points must be kept clear of any obstructions. In the event of any emergency disconnection being required they must be readily accessible.

Disposal

EU regulations require refrigeration product to be disposed of by specialist companies who remove or recycle all gasses, metal and plastic components.

Consult your local waste collection authority regarding disposal of your appliance. Local authorities are not obliged to dispose of commercial refrigeration equipment but may be able to offer advice on how to dispose of the equipment locally.

Alternatively call the POLAR helpline for details of national disposal companies within the EU.

Compliance

The WEEE logo on this product or its documentation indicates that the product must not be disposed of as household waste. To help prevent possible harm to human health and/or the environment, the product must be disposed of in an approved and environmentally safe recycling process. For further information on how to dispose of this product correctly, contact the product supplier, or the local authority responsible for waste disposal in your area.



POLAR parts have undergone strict product testing in order to comply with regulatory standards and specifications set by international, independent, and federal authorities.



POLAR products have been approved to carry the following symbol:

All rights reserved. No part of these instructions may be produced or transmitted in any form or by any means, electronic, mechanical, photocopying, recording or otherwise, without the prior written permission of POLAR.
Every effort is made to ensure all details are correct at the time of going to press, however, POLAR reserve the right to change specifications without notice.

Veiligheidstips

- Plaatsen op een vlakke en stabiele ondergrond.
- De installatie en eventuele reparaties dienen door een servicemonteur/vakman uitgevoerd te worden. Verwijder geen onderdelen of servicepanelen van dit product.
- Raadpleeg en volg de plaatselijke en nationale regelgeving op m.b.t. tot het volgende:
 - Wetgeving inzake gezondheid en veiligheid op het werk
 - NEN-praktijkrichtlijnen
 - Brandpreventie
 - IEE-bedradingsvoorschriften
 - Bouwvoorschriften
- Dit product NIET reinigen met spuit-/drukreinigers.
- Dit product NIET gebruiken voor de berging van medische producten.
- NIET op de kastbasis, lades en deuren staan of als ondersteuning gebruiken.
- Laat NIET toe dat olie of vet in contact komt met plastic componenten of deurafdichtingen. Onmiddellijk reinigen indien dit wel gebeurt.
- GEËEN producten op de koellast bewaren.
- Uitsluitend geschikt voor gebruik binnenshuis.
- Flessen met een hoog alcoholpercentage moet goed worden afgesloten en verticaal in de koelkast worden bewaard.
- Dit product altijd in een verticale positie vervoeren, opslaan en gebruiken. Het product verplaatsen door aan de onderkant op te tillen.
- Alvorens dit product te reinigen dient men altijd de stroomvoorziening uit te schakelen.
- Laat verpakkingsmateriaal niet binnen handbereik van kinderen. Verpakkingsmateriaal in overeenstemming met de regelgeving van de plaatselijke overheden als afval laten verwerken.

- Indien de stroomkabel beschadigd raakt, dient men deze door een POLAR monteur of een aanbevolen vakman te laten vervangen om gevaarlijke situaties te voorkomen.
- Men dient er toezicht op te houden dat kinderen niet me het apparaat spelen.
- Dit apparaat is niet bedoeld voor gebruik door personen met lichamelijke, zintuiglijke of mentale beperkingen (inclusief kinderen) of met gebrek aan ervaring of kennis tenzij zij hierin worden begeleid of zijn opgeleid in het gebruik van het apparaat door een persoon, die verantwoordelijk is voor hun veiligheid.
- POLAR beveelt aan dat dit apparaat periodiek (minstens jaarlijks) door een bevoegde persoon wordt getest. Tests moeten omvatten, maar zijn niet beperkt tot: visuele inspectie, polariteit, aardings continuïteit, isolatie continuïteit en functionele test.

Voorzichtig brandgevaar



- Heeft explosieve stoffen zoals spuitbussen niet slaan met een brandbaar drijfgas in dit apparaat.



Waarschuwing: Hou alle ventilatieopeningen vrij van obstakels. Het apparaat mag niet ingesloten worden zonder adequate ventilatie.

- **Waarschuwing:** gebruikt geen mechanische apparaten of andere middelen om het ontdooien te versnellen, anders dan welke aanbevolen worden door de fabrikant.
- **Waarschuwing:** het koelcircuit niet beschadigen.
- **Waarschuwing:** Gebruik geen elektrische apparaten in de bewaarruimte voor voedsel van het apparaat.

Inleiding

Neem de tijd om deze handleiding aandachtig door te lezen. Met het correcte gebruik en onderhoud levert dit product van POLAR de beste resultaten op.

Verpakkingsinhoud

De verpakking bevat het volgende:

- POLAR koeling of vriezer
- Roosters
- Sleutels x 2
- Verbindingsstuk x 2
- Handleiding

POLAR is trots op de haar productkwaliteit en dienstverlening en controleer de inhoud van de verpakkingen, tijdens de verpakkingsfase, op functioneren en schade. Mocht uw product door transport zijn beschadigd, neem dan onmiddellijk contact op met uw POLAR-dealer.

Installatie

Opmerking: Er wordt een beugel gebruikt om de deur tijdens het transport te ondersteunen. Verwijder bij ontvangst de beugel.

Opmerking: Niet voor gebruik in bestelwagens of aanhangwagens, foodtrucks of soortgelijke voertuigen.

Opmerking: indien het apparaat niet in een rechtopstaande positie is opgeslagen of vervoerd, dient men het product 12 uur vóór gebruik in de rechtopstaande positie te plaatsen. Bij twijfel dient men het product in een rechtopstaande positie te plaatsen.

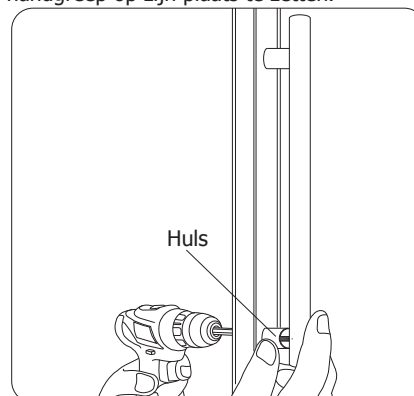
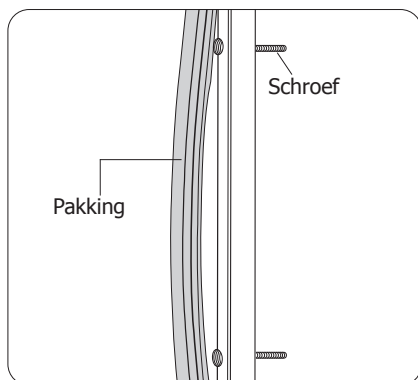
1. Haal het product uit de verpakking. Zorg ervoor dat u de beschermingsfolie en -lagen van alle oppervlakken heeft verwijderd.
2. Om de prestaties en levensduur te optimaliseren, dient u ervoor te zorgen dat er minimaal 2,5 cm afstand wordt gehouden tussen de unit en muren en andere objecten, met een minimale vrije ruimte van 20 cm aan de bovenkant. **PLAATS NOOIT NAAST EEN WARMTEBRON.**

Opmerking: Voor het eerste gebruik van dit product dient u de lades en de binnenzijde met zeepwater te reinigen.

Het apparaat wordt standaard geleverd met voeten. Zwenkwielen kunnen echter als optie.

Montage van de deurgreep

1. Trek de deurpakking opzij om de 2 voorgeboorde gaten bloot te leggen. Plaats de schroeven.
2. Monteer de huls op het andere uiteinde van de schroef. Draai de schroeven vast om de handgreep op zijn plaats te zetten.

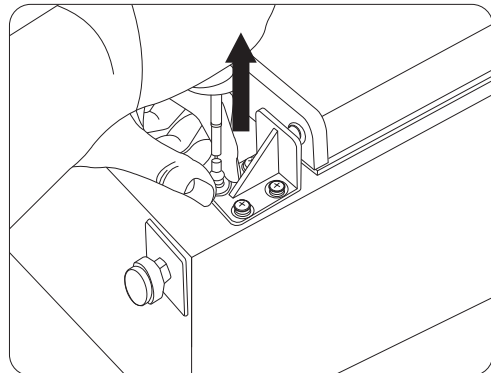
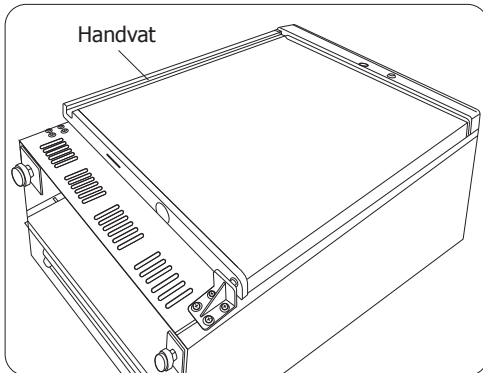


Omdraaien van de deur (exclusief model CB921)

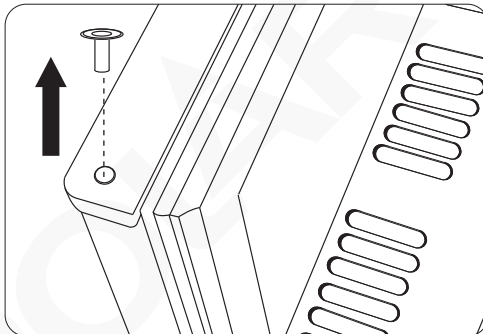
Afhankelijk van de locatie van het toestel kan het noodzakelijk zijn de richting te wijzigen waarop de deur opent door het handvat aan de andere kant te zetten. (Tip: De afbeeldingen in dit gedeelte dienen uitsluitend ter illustratie en kunnen qua uiterlijk enigszins afwijken van de werkelijke toestellen).

Om het handvat om te keren:

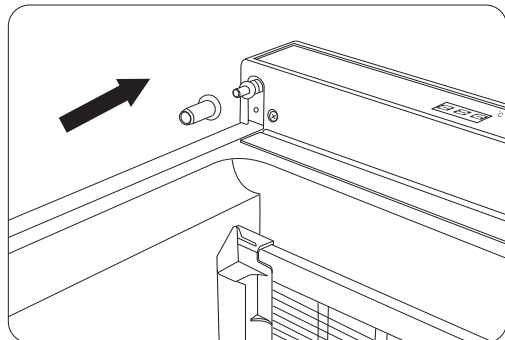
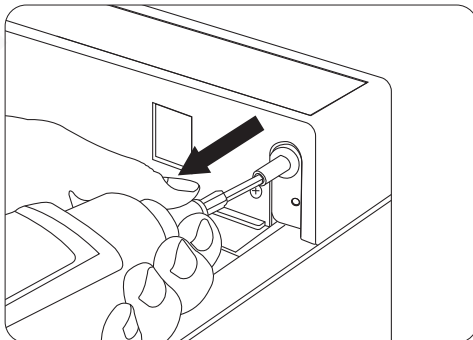
1. Het handvat bevindt zich aan de linkerkant. Demonteer het scharnier onderaan rechts.



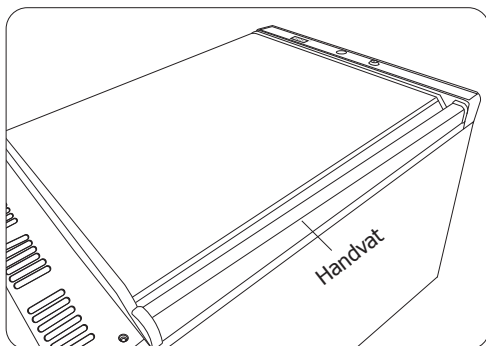
2. Verwijder de deur van het scharnier rechts bovenaan. Verwijder dan de scharnierkoker van het bovenstuk van de deur.



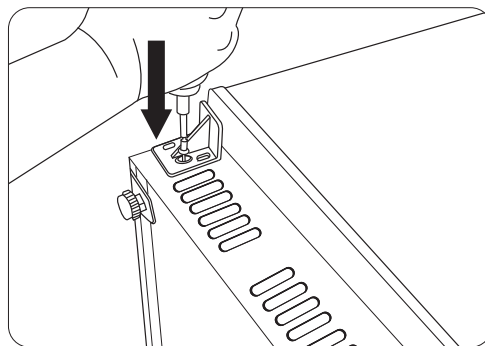
3. Verwijder het scharnier rechts bovenaan en installeer het aan de linkerkant. Installeer nadien de scharnierkoker op het scharnier.



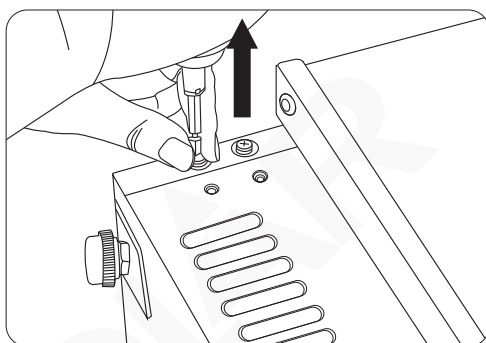
4. Keer de deur om en hang deze aan het scharnier links bovenaan.



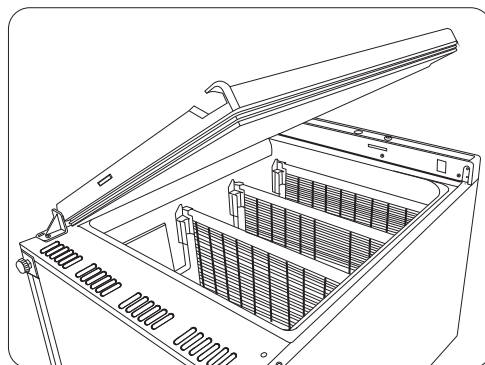
7. Bevestig het scharnier op zijn plaats met de eerder verwijderde schroeven.



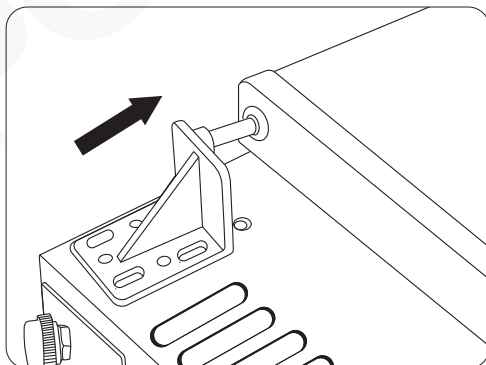
5. Verwijder de vooraf gemonteerde schroeven aan de zijde links onderaan.



8. Nu is het handvat geïnstalleerd aan de rechterzijde.



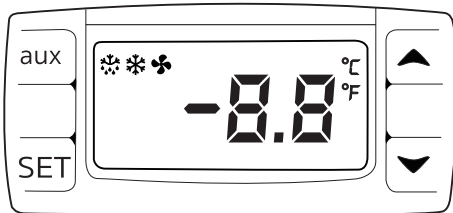
6. Installeer het eerder verwijderde scharnier, rechts onderaan, aan de linkerzijde.



Bediening

Bedieningspaneel

Het bedieningspaneel bevindt zich aan de voorzijde van het apparaat.



Aanzetten

1. Sluit de deur van het apparaat.
2. Sluit het apparaat aan op de stroomvoorziening.

Werktemperatuur instellen

1. Houd de **SET** toets gedurende 3 seconden ingedrukt. Het display knippert.
2. Druk op de ▲ of ▼ knoppen om de vereiste temperatuur weer te geven.
3. Druk op de **SET** knop om de temperatuurwaarde op te slaan.

Handmatig ontdooien

De knop "aux" indrukken en gedurende 2 seconden ingedrukt houden om ontdooiing te starten. Het ontdooiingslampje gaat aan.

De ontdooicyclus eindigt automatisch.

Opslag van levensmiddelen

Volg de volgende aanwijzingen voor de beste resultaten met uw POLAR-product:

- Bewaar uitsluitend levensmiddelen in het apparaat wanneer het apparaat de juiste gebruikstemperatuur heeft bereikt.
- Plaats geen onbedekte voorwerpen zoals hieronder vermeld in het toestel, aangezien dit kan leiden tot een beschadigde en lekkende verdampers, waardoor uw garantie vervalt: heet voedsel, hete vloeistoffen, zure vloeistoffen, zure producten.
- Voedsel afdekken en inwickelen wanneer mogelijk.
- Niet de interne ventilatoren in het apparaat blokkeren.
- Laat de deuren niet al te lang openstaan.

Vergrendelen/ontgrendelen van deuren

- De deuren zijn voorzien van een slot om de levensmiddelen veilig te bewaren in uw POLAR-product.
- Gebruik de meegeleverde sleutels om de deur te vergrendelen/ontgrendelen.

Reiniging, zorg & onderhoud

- Alvorens het apparaat te reinigen dient men de stroomvoorziening uit te schakelen.
- Reinig zo vaak mogelijk de binnenkant van het apparaat.
- Gebruik géén schurende reinigingsmiddelen. Dergelijke middelen kunnen schadelijke resten achterlaten.
- Reinig de deurdichting met warm zeepwater.
- Na reiniging altijd droogmaken.
- Het voor reiniging gebruikte water mag niet door het afvoergat naar de verdampingspan stromen.
- Ga voorzichtig te werk bij het reinigen van de achterzijde van het product. Scherpe randen kunnen snijwonden veroorzaken.

Koeltips:

- Bij veelvuldig en langdurig openen van de deuren zal zich condens en ijs vormen.
- Gebruik buiten het aanbevolen temperatuurbereik en plaatsing naast een warmtebron zal ook de hoeveelheid ijs en interne/externe condensatie doen toenemen. In geval van externe condensatie kunt u het oppervlak afvegen met een doek.
- Te veel ijs leidt tot langere bedrijfstijden, waardoor het energieverbruik toeneemt en de onderdelen slechter worden.
- Als de pakking of afdichting beschadigd of vervormd is, zal het energieverbruik toenemen. Vervang de pakking om de efficiëntie te herstellen.
- Zorg dat u de ventilators niet blokkeert en de maximale belastingslijnen niet overschrijdt omdat hierdoor de luchtverdeling wordt beïnvloed en het energieverbruik toeneemt.

Reiniging van de condensor

Periodieke reiniging van de condensor kan de levensduur van het apparaat verlengen. POLAR beveelt aan dat een POLAR-agent of een gekwalificeerde technicus de condensor reinigt.

Het niet reinigen van de condensator zal het energieverbruik verhogen, de prestaties en de levensduur van uw Polar-eenheid, beperken en hierdoor uw garantie ongeldig zal maken.

Oplossen van problemen

Indien nodig moet een gekwalificeerde technicus reparaties uitvoeren.

Probleem	Mogelijke oorzaak	Handeling
Het apparaat werkt niet	Het apparaat staat uit	Controleer of de stroomkabel van het apparaat is aangesloten en of het apparaat is ingeschakeld
	Stekker en kabel zijn beschadigd	Vervang stekker of kabel
	Storing netvoeding	Controleer netvoeding
Het product staat aan maar de temperatuur is te hoog/laag	Teveel ijs in de verdamper	Ontdooi het apparaat
	Condensor wordt geblokkeerd door stof	Reinig de condensor
	Deuren niet goed gesloten	Controleren of de deuren goed dicht zijn en of afdichtingen niet beschadigd zijn
	Het product bevindt zich in de nabijheid van een warmtebron of de luchtstroom naar de condensor wordt onderbroken	Verplaats de koelkast naar een geschiktere locatie
	Omgevingstemperatuur is te hoog	Verbeter de ventilatie of verplaats het product naar een koelere locatie
	Ongeschikte levensmiddelen worden in het product bewaard	Verwijder alle overbodige warme levensmiddelen of deblokkeer de ventilator
	Het product wordt overbelast	Verminder de hoeveelheid opgeslagen voedsel in het product
Het product lekt water	Het product staat niet recht	Pas de verstelbare poten aan om het product te nivelleren (indien nodig)
	De afvoeropening wordt geblokkeerd	Maak de afvoeropening vrij van obstakels
Het product lekt water	De waterstroom naar de afvoer wordt geblokkeerd	Maak de vloer vrij van obstakels (indien nodig)
	De waterbak is beschadigd	Raadpleeg een gekwalificeerde technicus
	De lekbak stroomt over	Leeg de lekbak (indien nodig)
Het product maakt ongebruikelijk veel lawaai	Moer/schroef los	Alle moeren en schroeven controleren en aandraaien
	Het product is niet op een vlakke of stabiele ondergrond geplaatst	Controleer de positie en verander deze indien nodig
De displaylamp gaat niet aan	Lamp vervangen	Raadpleeg een gekwalificeerde technicus

Technische specificaties

Opmerking: Vanwege ons voortdurende verbeteringsproces, kunnen de productspecificaties zonder voorafgaande kennisgeving worden gewijzigd.

Model	Voltage	Vermogen	Stroom	Temperatuur- bereik	Bruto capaciteit (L)	Netto bruikbare capaciteit (L)	Type koelmiddel / gewicht (kg)	Afmetingen h x b x d mm	Gewicht (kg)
CD086	230V 50Hz	150W	1,1A	2°C ~ 8°C	150	118	R600a (0,035kg)	855 x 600 x 619	47
CD087		185W	1,5A	2°C ~ 8°C	400	246	R600a (0,090kg)	1850 x 600 x 600	72
CD088		185W	1,5A	2°C ~ 8°C	600	414	R600a (0,115kg)	1895 x 777 x 735	93
CB921		500W	2,35A	-10°C ~ -20°C	365	258	R290 (0,110kg)	1855 x 600 x 620	76

Effect van temperatuurinstellingen op voedselverspilling:

Om voedselverspilling door ontbinding of uitdroging te beperken, moet dit apparaat binnen het aangewezen werkingsbereik worden gebruikt.

Optimale temperatuur voor het bewaren van voedsel: 4°C (CD086/CD086/CD088), -18°C (CB921)

Neem contact op met uw Polar-dealer om reserveonderdelen te bestellen:

<https://www.polar-refrigerator.com/stockist>



Minimumperiode voor de beschikbaarheid van reserveonderdelen:

Deurkrukken, deurscharnieren, knoppen, draaiknoppen en toetsen, deurpakkingen, toetsenborden, manden en rekken voor opslag, naar gelang van het apparaat, zullen ter beschikking worden gesteld aan zowel eindgebruikers als professionele gebruikers gedurende minimaal acht jaar nadat het laatste apparaat van het model in de handel is gebracht. Een ruimere selectie van onderdelen zal voor deze periode ook beschikbaar worden gemaakt voor professionele gebruikers.

Modelinformatie vindt u in de productdatabase:

<https://eprel.ec.europa.eu/screen/product/refrigeratingappliancesdirectsalesfunction>



Modelinformatie vindt u op het product:

De modelaanduiding staat meestal op de binnenwand en op de achterkant van het toestel.

Toelichting: Polar biedt een garantie van minimaal 2 jaar. Neem voor meer informatie contact op met de bevoegde vertegenwoordiger.

Elektrische bedrading

Men dient de stekker op een geschikt stopcontact aan te sluiten.

De bedrading van dit apparaat is als volgt:

- Stroomkabel (bruin) naar de aansluitklem gemarkeerd met L
- Neutraalkabel (blauw) naar de aansluitklem gemarkeerd met N
- Aardkabel (groen/geel) naar de aansluitklem gemarkeerd met E

Dit apparaat moet worden geaard.



Bij twijfels raadpleeg een vakkundige elektricien.

De elektrische isolatiepunten mogen niet worden geblokkeerd. In geval van een nooduitschakeling moeten de isolatiepunten direct toegankelijk zijn.

Afvalverwerking

De EU-richtlijnen vereisen dat koelproducten door gespecialiseerde bedrijven wordt verwerkt die gassen, metalen en plastic componenten verwijderen of recyclen.

Raadpleeg uw plaatselijke afvalverwerkingsbedrijf voor informatie over de afvalverwerking van uw apparaat. De plaatselijke overheden zijn niet verplicht om koelingsproducten van bedrijven als afval te verwerken maar kunnen uw informeren waar u het apparaat kunt afgeven.

U kunt ook de Polar helpline bellen voor informatie over landelijke afvalverwerkingsbedrijven in de EU.

Productconformiteit

Het WEEE-logo op dit product of bijbehorende documentatie geeft aan dat het product niet onder huisvuil valt en als zodanig ook niet mag worden verwerkt. Ter preventie van mogelijke gevaren voor de gezondheid van personen en/of voor het milieu, dient men dit product in overeenstemming met het voorgeschreven en milieuvriendelijke recyclingproces als afval te verwerken. Raadpleeg uw productleverancier of uw plaatselijk afvalverwerkingsbedrijf voor meer informatie over de juiste afvalverwerking van dit product.



De onderdelen van Polar producten hebben strenge producttesten ondergaan om te voldoen aan wettelijke regels en specificaties die door internationale, onafhankelijke en landelijke overheden worden voorgeschreven.



Polar producten zijn goedgekeurd en voorzien van het volgende symbool:

Alle rechten voorbehouden. Het is verboden om deze handleiding, hetzij volledig of gedeeltelijk, elektronisch of mechanisch te reproduceren, kopiëren, op opslagmedia op te slaan of op enigerlei wijze over te dragen, zonder voorafgaande goedkeuring van Polar.

Wij hebben er alles aan gedaan om er zeker van te zijn dat op publicatiedatum van de handleiding alle details correct zijn, desondanks, behoudt Polar het recht voor om specificaties zonder aankondiging te wijzigen.

Conseils de sécurité

- Placez l'appareil sur une surface stable et de niveau.
- L'installation et les éventuelles réparations doivent être confiées à un dépanneur / technicien qualifié. Ne retirez aucun composant ou cache de ce produit.
- Consultez les normes locales et nationales pour vous conformer aux :
 - lois sur l'hygiène et la sécurité au travail ;
 - codes de bonnes pratiques BS EN ;
 - précautions contre le risque d'incendie ;
 - réglementations sur les branchements électriques IEE ;
 - règlements sur la construction
- NE PAS nettoyer cet appareil avec un nettoyeur à jet / à pression.
- NE PAS se servir de cet appareil pour stocker des médicaments.
- NE PAS éclabousser les composants en plastique ou les joints de porte d'huile ou de matières grasses.
- En cas d'éclaboussure, nettoyez immédiatement la surface touchée.
- NE STOCKEZ aucun produit sur le dessus de l'appareil.
- Cet appareil est réservé exclusivement à une utilisation à l'intérieur.
- Les bouteilles qui contiennent un haut pourcentage d'alcool doivent être bouchonnées et rangées à la verticale dans le réfrigérateur.
- Veillez à toujours transporter, stocker et manipuler l'appareil à la verticale et à le déplacer en tenant la base du châssis.
- N'oubliez jamais d'éteindre et de débrancher l'appareil avant de procéder à son nettoyage.
- Gardez les emballages hors de portée des enfants. Débarrassez-vous des emballages conformément aux règlements des autorités locales.

- Un cordon d'alimentation endommagé doit être remplacé par un agent POLAR ou un technicien qualifié recommandé, pour éviter tout danger.
- Surveillez les enfants pour les empêcher de jouer avec l'appareil.
- Cet appareil n'a pas été conçu pour être utilisé par des personnes (enfants inclus) à capacités physiques, sensorielles ou mentales réduites ou ne disposant pas d'une expérience ou de connaissances suffisantes, à moins que lesdites personnes n'aient été formées ou instruites quant à son utilisation, par une personne responsable de leur sécurité.
- POLAR recommande de faire tester régulièrement cet appareil (une fois par an au minimum) par une personne compétente. Le test devrait inclure, entre autres : inspection visuelle, test de polarité, la continuité de masse (équipement de classe I), test d'isolation et test de fonctionnement.

Attention : Risque d'incendie



- Ne stockez pas de substances explosives telles que les aérosols avec un propulseur inflammable dans cet appareil.



Attention : Ne bouchez pas les grilles d'aération. Le meuble ne doit pas être encastré sans l'aération adéquate.

- **Attention** : Ne pas utiliser de dispositifs mécaniques ou autres moyens pour accélérer le processus de dégivrage, autres que ceux recommandés par le fabricant.
- **Attention** : Ne pas endommager le circuit frigorifique.
- **Attention** : Ne pas utiliser d'appareils électriques à l'intérieur des compartiments de stockage alimentaire de l'appareil.

Introduction

Nous vous invitons à consacrer quelques instants à la lecture attentive de ce mode d'emploi. L'entretien et l'utilisation appropriés de cet appareil vous permettront de tirer le meilleur de votre produit POLAR.

Contenu

Les éléments suivants vous sont fournis de série :

- Armoire positive ou négative POLAR
- Étagères
- 2 clés
- 2 entretoise
- Mode d'emploi

POLAR attache une grande importance à la qualité et au service et veille à fournir des produits en état opérationnel parfaitement intacts au moment de l'emballage.

Nous vous prions de contacter votre revendeur POLAR immédiatement si vous constatez un dommage quelconque survenu pendant le transport du produit.

Installation

Remarque : Un support est utilisé pour soutenir la porte pendant le transport. A réception, veuillez retirer le support.

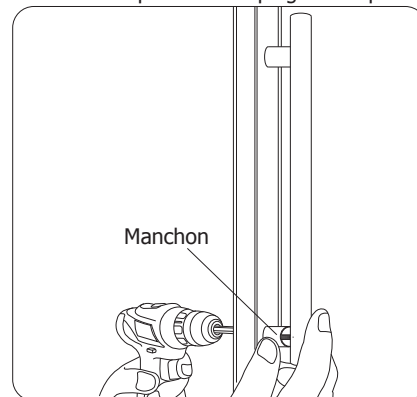
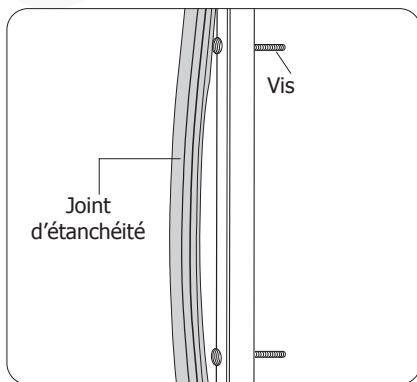
Remarque : Ne pas utiliser dans des camionnettes ou des semi-remorques, dans des camions-restaurants ou véhicules similaires. Dans les cas où l'appareil a été stocké ou déplacé autrement que dans la position d'utilisation, attendre 12 heures avant de vous en servir. En cas de doute, laissez l'appareil se reposer.

1. Sortez l'appareil de l'emballage. Veillez à bien retirer toute la pellicule et les revêtements de protection de toutes les surfaces.
2. Pour optimiser les performances et la longévité, assurez-vous qu'un dégagement minimum de 2,5 cm est maintenu entre l'unité et les murs et autres objets, avec un dégagement minimum de 20 cm sur le dessus. **NE JAMAIS PLACER À PROXIMITÉ D'UNE SOURCE DE CHALEUR.**

Remarque : Avant de mettre l'appareil en service pour la première fois, nettoyez les étagères et l'intérieur de l'appareil à l'eau savonneuse. L'appareil est fourni avec les pieds par défaut. Cependant, les roulettes peuvent être fournies en option à partir de la gamme de numéros de série: 8124199-UK / 8128873-EU et suivants.

Montage de la poignée de porte

1. Tirez le joint de porte sur le côté pour exposer les 2 trous pré-perçés. Insérez les vis.
2. Montez la douille à l'autre extrémité de la vis. Serrez les vis pour fixer la poignée en place.

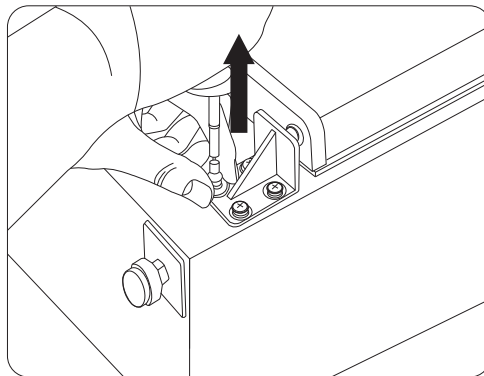
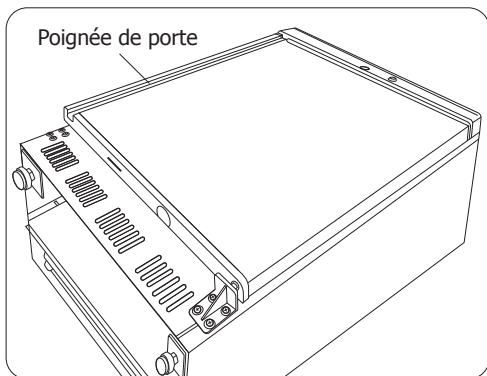


Inversion de la porte (à l'exception du modèle CB921)

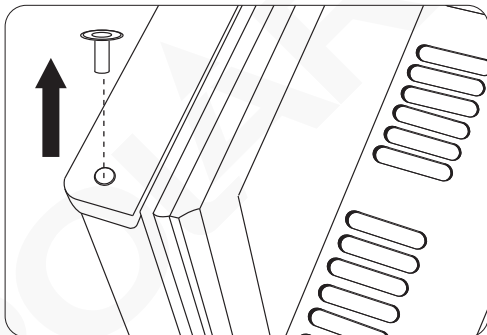
Selon l'emplacement de l'appareil, il pourrait être nécessaire de changer le sens d'ouverture de la porte en changeant la poignée de porte de côté. (Conseil : les images de cette section sont utilisées à titre d'illustration uniquement et peuvent différer légèrement de l'apparence des appareils réels).

Pour inverser la poignée de porte :

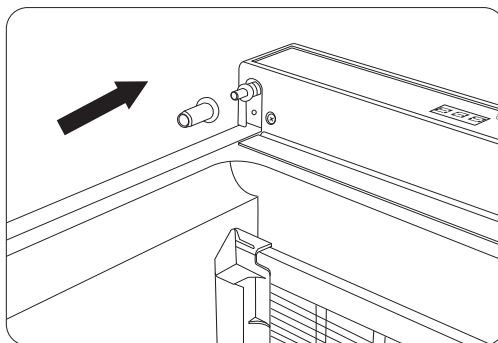
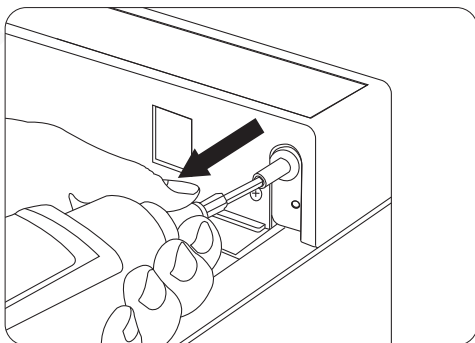
1. La poignée de la porte se trouve sur le côté gauche. Démontez la charnière inférieure droite.



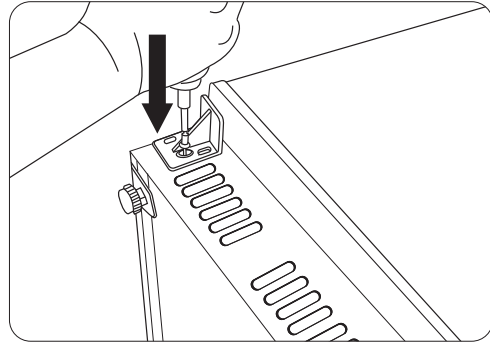
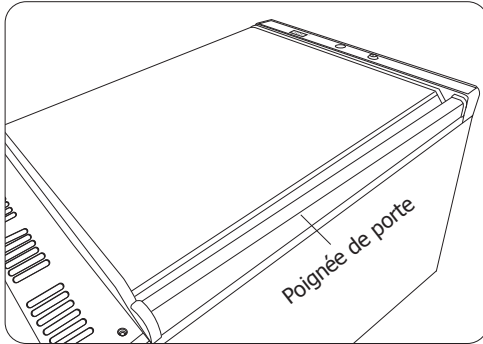
2. Retirez la porte de la charnière supérieure droite. Retirez ensuite le manchon de charnière du haut de la porte.



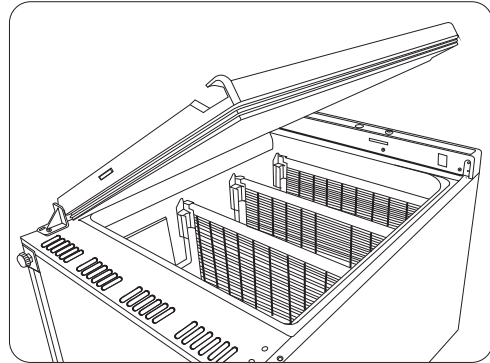
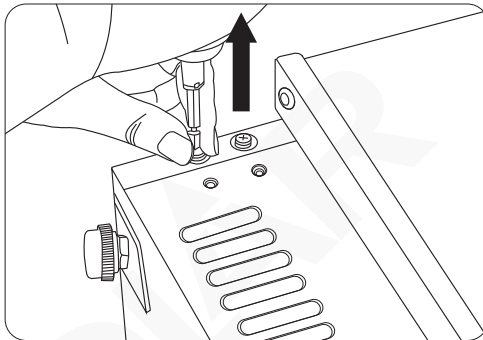
3. Retirez la charnière supérieure droite et installez-la sur le côté gauche. Ensuite, installez le manchon de charnière sur la charnière.



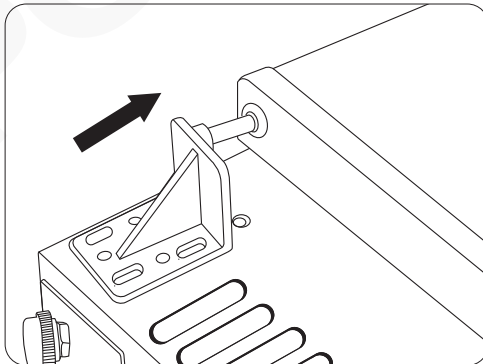
4. Inversez la porte et accrochez-la à la charnière supérieure gauche. 7. Fixez la charnière en place à l'aide des vis retirées précédemment.



5. Enlever les vis pré-montées sur le côté inférieur gauche. 8. La poignée de la porte est maintenant installée sur le côté droit.



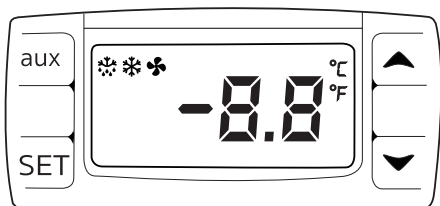
6. Installez la charnière inférieure droite précédemment retirée sur le côté gauche.



Fonctionnement

Panneau de configuration

Le panneau de commande est situé sur le devant de l'appareil.



Allumer

1. Fermez la porte de l'appareil.
2. Branchez l'appareil à une alimentation secteur.

Réglez la température de fonctionnement

1. Maintenez le bouton **SET** pendant 3 secondes. L'affichage clignote.
2. Appuyez sur les boutons ▲ ou ▼ pour afficher la température requise.
3. Appuyez sur le bouton **SET** pour mémoriser la température.

Dégivrage manuel

Appuyez et maintenez enfoncé le bouton de dégivrage « **aux** » pendant 2 secondes pour commencer un dégivrage manuel. La lumière éclairée de dégivrage.

Le cycle de dégivrage se termine automatiquement.

Stockage des aliments

Suivez ces consignes pour profiter au mieux de votre appareil POLAR :

- Ne stockez des aliments dans l'appareil que lorsqu'il a atteint la bonne température de fonctionnement.
- Ne placez pas d'articles non couverts comme ceux mentionnés ci-dessous à l'intérieur de l'appareil, car cela pourrait entraîner un évaporateur endommagé et non étanche, et ainsi annuler votre garantie : aliments chauds, liquides chauds, fluides acides, produits acides.
- Autant que faire se peut, enveloppez ou couvrez les aliments.
- Veillez à ne pas obstruer les ventilateurs à l'intérieur de l'appareil.
- Évitez de laisser trop longtemps les portes ouvertes.

Verrouillage / déverrouillage des portes

- Les portes sont munies d'un verrou qui vous permet d'enfermer les aliments dans votre appareil POLAR.
- Le verrouillage / déverrouillage de la porte s'effectue à l'aide des clés fournies.

Nettoyage, entretien et maintenance

- N'oubliez jamais d'éteindre et de débrancher l'appareil avant de procéder à son nettoyage.
- Nettoyez l'intérieur de l'appareil aussi souvent que possible.
- N'utilisez aucun produit de nettoyage abrasif. Ces produits peuvent laisser des résidus nocifs.
- Nettoyez le joint de la porte avec de l'eau savonneuse chaude.
- Veillez à le sécher en l'essuyant après nettoyage.
- Ne laissez pas l'eau de nettoyage s'écouler à travers l'orifice de vidange du bac d'évaporation.
- Soyez prudent quand vous nettoyez l'arrière de l'appareil. Les bords effilés peuvent couper.

Conseils pour la réfrigération:

- L'ouverture fréquente et prolongée des portes entraîne la formation de condensation et de glace.
- Le fait de faire fonctionner l'appareil en dehors de la plage de température recommandée et de le placer à côté d'une source de chaleur augmente également la quantité de glace et de condensation interne/externe. En cas de condensation externe, essuyez la surface avec un chiffon.
- Une quantité excessive de glace entraînera des temps de fonctionnement plus longs qui augmenteront la consommation d'énergie et la détérioration des composants.
- Si le joint ou la garniture est endommagé ou déformé, la consommation d'énergie augmentera. Pour rétablir l'efficacité, remplacez le joint d'étanchéité.
- Évitez d'obstruer les ventilateurs et ne dépassez pas les lignes de charge maximale, car cela affecterait la distribution de l'air et augmenterait la consommation d'énergie.

Nettoyage du condensateur

Un nettoyage périodique du condensateur peut prolonger la durée de vie de l'appareil. POLAR recommande qu'un agent POLAR ou un technicien qualifié nettoie le condensateur.

Si vous ne nettoyez pas le condensateur, la consommation d'énergie augmentera, les performances et la durée de vie de votre unité Polar seront réduites et votre garantie pourrait être annulée.

Dépannage

Un technicien qualifié doit effectuer les réparations si nécessaire.

Dysfonctionnement	Cause probable	Intervention
Le voyant lumineux ne s'allume pas	L'appareil n'est pas allumé	Vérifier que l'appareil est bien branché et allumé
	La fiche ou le câble est endommagé	Remplacez la fiche ou le câble
	Défaut d'alimentation secteur	Vérifier l'alimentation secteur
L'appareil s'allume, mais la température est trop haute / basse	Excès de glace sur l'évaporateur	Dégivrer l'appareil
	Le condensateur est saturé de poussières	Nettoyer le condensateur
	Les portes sont mal fermées	Vérifier que les portes sont fermées et l'état des joints
	L'appareil est situé près d'une source de chaleur ou l'air ne circule pas librement vers le condensateur	Déplacer le réfrigérateur pour le placer à un endroit mieux adapté
	Température ambiante trop haute	Augmenter la ventilation ou placer l'appareil à un endroit plus frais
	Des aliments inadéquats sont stockés dans l'appareil	Retirer les aliments trop chauds ou les éventuelles obstructions au ventilateur
	L'appareil est surchargé	Réduire la quantité d'aliments stockés dans l'appareil
Fuite d'eau	L'appareil n'est pas de niveau	Régler les pieds à vis pour le mettre de niveau (le cas échéant)
	Evacuation bouchée	Déboucher l'évacuation
Fuite d'eau	Circuit de vidange bouché	Nettoyer le plancher de l'appareil (le cas échéant)
	Bac à eau endommagé	Consulter un technicien qualifié
	La cuvette de dégivrage déborde	Vider la cuvette de dégivrage (le cas échéant)
L'appareil fait beaucoup de bruit	Ecrou / vis desserrés	Vérifier et resserrer les écrous et vis
	La surface sur laquelle l'appareil a été posé n'est pas de niveau ou l'appareil n'est pas stable	Vérifier la position d'installation et la changer si nécessaire
L'ampoule du comptoir ne s'allume pas	Changer l'ampoule	Consulter un technicien qualifié

Spécifications techniques

Remarque : raison de notre processus d'amélioration continue, les spécifications des produits sont susceptibles d'être modifiées sans préavis.

Modèle	Tension	Puissance	Courant	Plage de température	Capacité brute (L)	Capacité nette utilisable (L)	Type de réfrigérant / poids (kg)	Dimensions h x l x p mm	Poids (kg)
CD086	230V 50Hz	150W	1,1A	2°C ~ 8°C	150	118	R600a (0,035kg)	855 x 600 x 619	47
CD087		185W	1,5A	2°C ~ 8°C	400	246	R600a (0,090kg)	1850 x 600 x 600	72
CD088		185W	1,5A	2°C ~ 8°C	600	414	R600a (0,115kg)	1895 x 777 x 735	93
CB921		500W	2,35A	-10°C ~ -20°C	365	258	R290 (0,110kg)	1855 x 600 x 620	76

Impact des réglages de la température sur les déchets alimentaires :

Afin de réduire la décomposition ou la déshydratation des déchets alimentaires, cet appareil doit être utilisé dans la plage de fonctionnement prévue.

Température optimale pour la conservation des aliments : 4°C (CD086/CD086/CD088), -18°C (CB921)

Pour commander les pièces de rechange, veuillez contacter le Stockist Polar:

<https://www.polar-refrigerator.com/stockist>



Durée minimale pour la réception des pièces de rechange:

Les poignées de porte, les charnières de porte, les boutons, les cadrans et les boutons, les joints de porte, les plateaux périphériques, les paniers et les étagères de rangement, en fonction de l'appareil, seront mis à la disposition des utilisateurs finaux et des utilisateurs professionnels pendant un minimum de huit ans après la mise sur le marché de la dernière unité du modèle. Une sélection plus large de pièces sera également mise à la disposition des utilisateurs professionnels pendant cette période.

L'information sur le modèle est disponible dans la base de données du produit:

<https://eprel.ec.europa.eu/screen/product/refrigeratingappliancesdirectsalesfunction>



L'information sur le modèle est disponible sur le produit.

L'identifiant du modèle se trouve généralement sur la paroi intérieure et au dos de l'appareil.

Remarque : Polar offre une garantie minimale de 2 ans, veuillez contacter le représentant agréé pour plus de détails.

Raccordement électrique

La prise doit être reliée à la prise secteur qui convient.

Cet appareil est câblé comme suit :

- Fil conducteur (brun) à la borne marquée L
- Fil neutre (bleu) à la borne marquée N
- Fil de terre (vert / jaune) à la borne marquée E

Cet appareil doit être mis à la terre.



En cas de doute, consultez un électricien qualifié.

Les points d'isolation électrique doivent être libres de toute obstruction. En cas de débranchement requis en urgence, ils doivent être facilement accessibles.

Mise au rebut

Les règlements de l'UE exigent que les produits munis de réfrigérants soient mis au rebut par des entreprises spécialisées, équipées pour extraire et recycler les composants à gaz, métalliques et en plastique.

Adressez-vous à votre autorité chargée de la collecte des déchets pour ce qui concerne la mise au rebut de votre appareil. Même si rien n'oblige les autorités locales à se charger de la mise au rebut du matériel de réfrigération commerciale, elles pourraient être en mesure de vous conseiller sur les moyens disponibles localement pour s'en débarrasser.

Vous pouvez aussi appeler le standard d'assistance POLAR, qui saura vous renseigner sur les entreprises de prise en charge nationales au sein de l'UE.

Conformité

Le logo WEEE qui figure sur ce produit ou sa documentation indique qu'il ne doit pas être mis au rebut avec les ordures ménagères. Pour éviter qu'il ne présente un risque pour la santé humaine et / ou écologique, confiez la mise au rebut de ce produit à un site de recyclage agréé respectueux de l'environnement. Pour de plus amples détails sur la mise au rebut appropriée de ce produit, contactez le fournisseur du produit ou l'autorité responsable de l'enlèvement des ordures dans votre région.



Les pièces POLAR ont été soumises à des tests rigoureux pour pouvoir être déclarées conformes aux normes et spécifications réglementaires définies par les autorités internationales, indépendantes et fédérales.



Les produits POLAR ont été déclarés aptes à porter le symbole suivant :

Tous droits réservés. La production ou transmission, partielles ou intégrales, sous quelque forme que ce soit ou par n'importe quel moyen, tant électronique que mécanique, sous forme de photocopie, d'enregistrement ou autre de ce mode d'emploi sont interdites sans l'autorisation préalablement accordée par POLAR.

Nous nous efforçons, par tous les moyens dont nous disposons, de faire en sorte que les détails contenus dans le présent mode d'emploi soient corrects en date d'impression. Toutefois, POLAR se réserve le droit de changer les spécifications de ses produits sans préavis.

Sicherheitshinweise

- Auf eine flache, stabile Fläche stellen.
- Alle erforderlichen Montage- und Reparaturarbeiten sollten von Wartungspersonal oder einem qualifizierten Techniker durchgeführt werden. Keine Bauteile oder Bedienflächen von diesem Produkt entfernen.
- Für folgende Normen und Vorschriften sind die lokalen und nationalen Normen heranzuziehen:
 - Arbeitsschutzvorschriften
 - BS-EN-Verhaltenspraktiken
 - Brandschutzvorschriften
 - IEE-Anschlussvorschriften
 - Bauvorschriften
- Das Gerät NICHT mit einem Strahl-/Hochdruckreiniger reinigen.
- Das Gerät NICHT zum Aufbewahren von medizinischen Produkten verwenden.
- Sich NICHT auf den Schrank, die Schubladen oder die Türen draufstellen oder aufstützen.
- KEIN ÖL oder Fett mit den Kunststoffteilen oder der Türdichtung in Kontakt kommen lassen. Bei Kontakt sofort reinigen.
- KEINE Produkte auf dem Gerät lagern.
- Nur zum Gebrauch in Gebäuden.
- Flaschen mit hochkonzentriertem Alkohol müssen dicht verschlossen und aufrecht stehend im Kühlschrank aufbewahrt werden.
- Das Gerät stets aufrecht tragen, lagern und transportieren. Zum Transport den Schrank an der Unterseite anfassen.
- Vor Reinigungsarbeiten stets zunächst das Gerät abschalten und den Netzstecker aus der Steckdose ziehen.
- Verpackungsmaterial außerhalb der Reichweite von Kindern aufbewahren und gemäß den lokalen Vorschriften entsorgen.

- Aus Sicherheitsgründen muss ein beschädigtes Stromkabel von einem POLAR-Mitarbeiter oder einem empfohlenen qualifizierten Elektriker erneuert werden.
- Kinder sollten beaufsichtigt werden um sicherzustellen, dass sie nicht mit dem Gerät spielen.
- Dieses Gerät sollte nur dann von Personen (einschließlich Kindern) mit reduzierten körperlichen, sensorischen oder geistigen Fähigkeiten, mangelnder Erfahrung oder Kenntnissen verwendet werden, wenn sie von einer für ihre Sicherheit verantwortlichen Person im Gebrauch des Geräts geschult wurden bzw. ständig beaufsichtigt werden.
- POLAR empfiehlt, dass dieses Gerät regelmäßig (wenigstens jährlich) von einem Fachmann überprüft wird. Die Überprüfung sollte beinhalten, ohne darauf beschränkt zu sein: Visuelle Überprüfung, Polaritätstest, Erdungskontinuität (Klasse-1-Geräte), Isolationskontinuität und Funktionalitätsprüfung.

Vorsicht: Brandgefahr



- Keine explosiven Stoffe wie Sprühdosen mit brennbarem Treibmittel in diesem Gerät nicht aufbewahren.



Warnung: Halten Sie alle Lüftungsöffnungen frei. Das Gerät sollte nicht ohne geeignete Ventilation eingebaut werden.

- **Warnung:** Verwenden Sie keine mechanischen Vorrichtungen oder andere Mittel, um den Abtauvorgang zu beschleunigen, außer denen, die vom Hersteller empfohlen wurden.
- **Warnung:** Beschädigen Sie den Kältemittelkreislauf nicht.
- **Warnung:** Verwenden Sie keine elektrischen Geräte innerhalb der Ablagefächer des Geräts.

Einführung

Bitte nehmen Sie sich einige Minuten Zeit und lesen Sie dieses Handbuch sorgfältig durch. Nur bei korrekter Wartung und vorschriftsgemäßem Betrieb kann Ihr POLAR-Produkt optimale Leistung erzielen.

Lieferumfang

Folgende Teile befinden sich in der Verpackung:

- POLAR Kühl - oder Gefriergerät
- Roste
- Schlüssel x 2
- Abstandhalter x 2
- Bedienungsanleitung

POLAR ist stolz auf die hochwertige Qualität seiner Produkte und seinen erstklassigen Service. Wir stellen sicher, dass alle gelieferten Produkte zum Zeitpunkt der Verpackung voll funktionsfähig sind und sich in einwandfreiem Zustand befinden.

Sollten Sie Transportschäden feststellen, wenden Sie sich bitte unverzüglich an Ihren POLAR-Händler.

Montage

Hinweis: Eine Halterung wird verwendet, um die Tür während des Transports zu stützen. Nach Erhalt entfernen Sie bitte die Halterung.

Hinweis: Nicht zur Verwendung in Lieferwagen oder Anhängern, Transportern oder ähnlichen Fahrzeugen.

Wenn das Gerät nicht aufrecht transportiert oder gelagert wurde, muss es vor Inbetriebnahme rund 12 Stunden aufrecht aufgestellt werden. Im Zweifelsfall lassen Sie es aufrecht stehen.

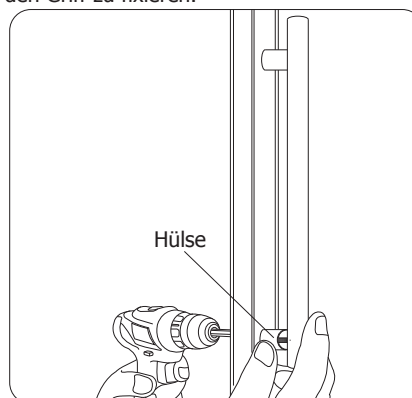
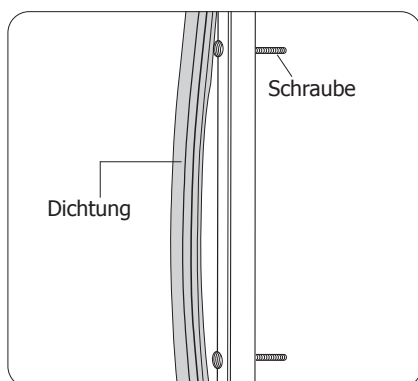
1. Das Gerät aus der Verpackung nehmen. Darauf achten, dass die gesamte Plastikfolie und alle Beschichtungen von sämtlichen Flächen entfernt wurden.
2. Um die Leistung und Langlebigkeit zu optimieren, stellen Sie sicher, dass zwischen dem Gerät und den Wänden und anderen Objekten ein Mindestabstand von 2,5 cm eingehalten wird, wobei oben ein Mindestabstand von 20 cm eingehalten wird. **NIEMALS IN DER NÄHE EINER WÄRMEQUELLE.**

Hinweis: Vor dem ersten Einsatz des Geräts die Ablagen und das Geräteinnere mit einer Seifenlauge reinigen.

Das Gerät wird standardmäßig mit Füßen geliefert. Rollen können jedoch optional.

Montage des Türgriffs

1. Ziehen Sie die Türdichtung zur Seite, um die 2 vorgebohrten Löcher freizulegen. Setzen Sie die Schrauben ein.
2. Montieren Sie die Hülse auf das andere Ende der Schraube. Ziehen Sie die Schrauben fest, um den Griff zu fixieren.

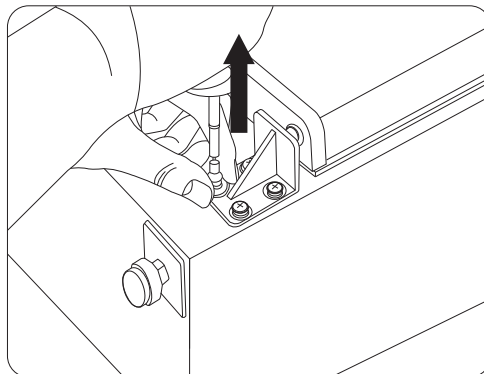
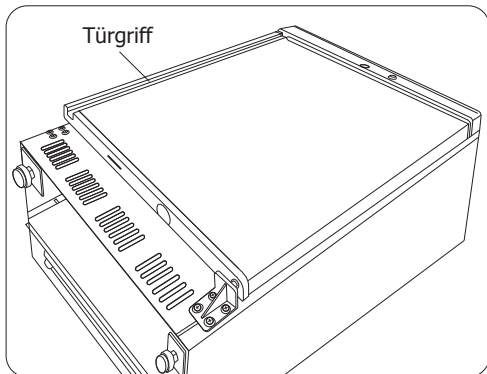


Die Öffnungsrichtung der Tür ändern (Ausgenommen Modell CB921)

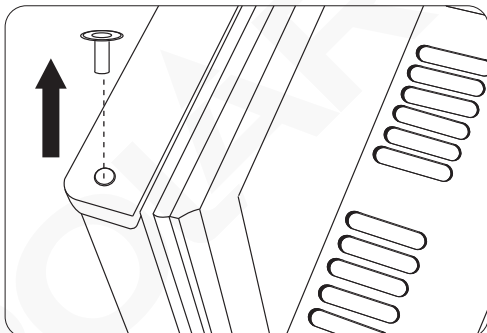
Je nach Standort des Gerätes kann es notwendig sein, die Richtung zu ändern, in der die Tür öffnet, indem man die Seite des Türgriffs wechselt. (Tipp: Die Bilder in diesem Abschnitt dienen nur der Veranschaulichung und können leicht von den tatsächlichen Geräten abweichen).

Die Öffnungsrichtung der Tür ändern:

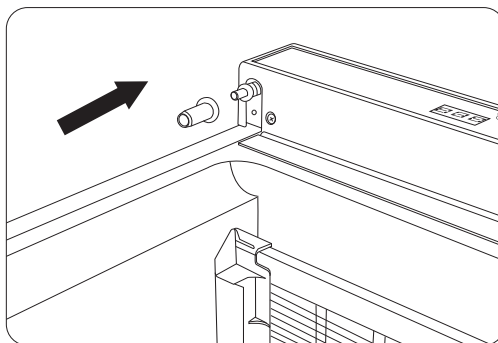
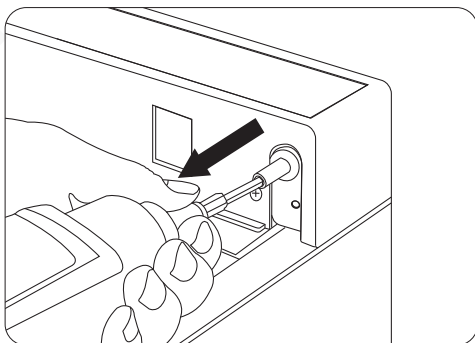
1. Der Türgriff ist auf der linken Seite. Demontieren Sie das rechte untere Scharnier.



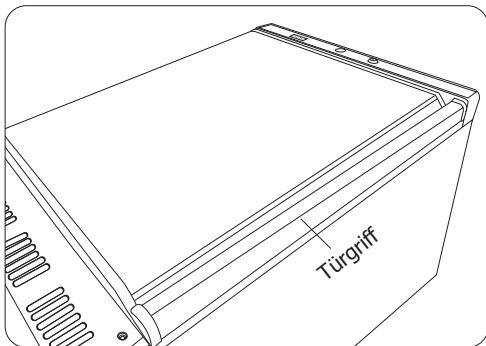
2. Die Tür vom rechten oberen Scharnier entfernen. Dann die Scharnierhülse von der Oberkante der Tür entfernen.



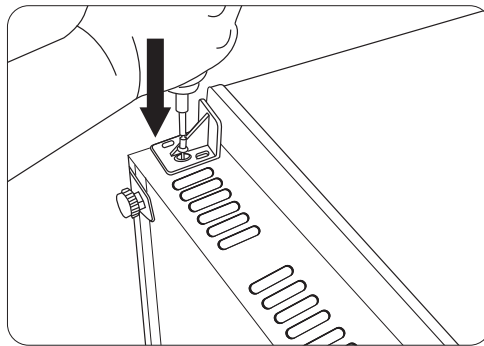
3. Entfernen Sie das rechte obere Scharnier und montieren Sie es auf der linken Seite. Anschließend die Scharnierhülse auf das Scharnier installieren.



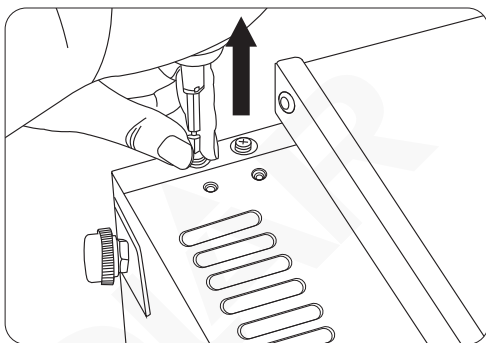
4. Die Tür umdrehen und auf das linke obere Scharnier hängen.



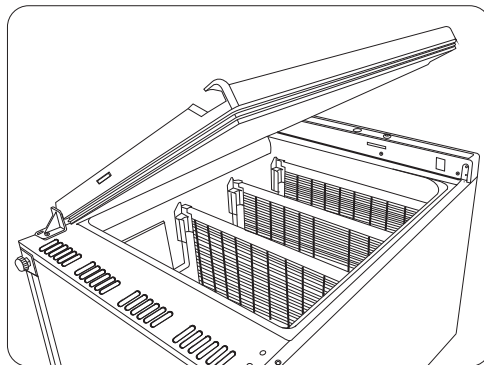
7. Mit den zuvor entfernten Schrauben das Scharnier befestigen.



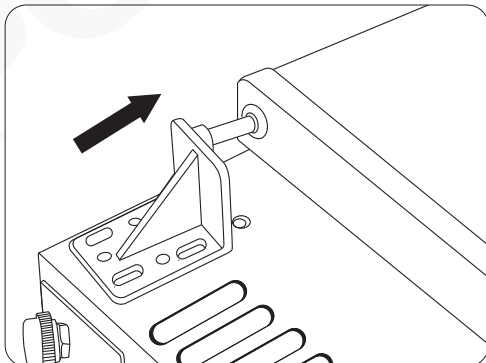
5. Entfernen Sie die vormontierten Schrauben auf der linken unteren Seite.



8. Jetzt ist der Türgriff auf der rechten Seite montiert.



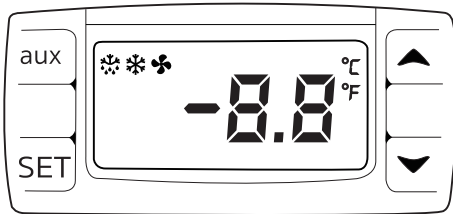
6. Montieren Sie das zuvor entfernte rechte untere Scharnier auf der linken Seite.



Betrieb

Bedienfeld

Das Bedienfeld befindet sich vorne am Gerät.



Einschalten

1. Schließen Sie die Tür des Gerätes.
2. Schließen Sie das Gerät an eine Netzstromversorgung.

Stellen Sie die Betriebstemperatur ein

1. Halten Sie die **SET**-Taste für 3 Sekunden gedrückt. Die Anzeige blinkt.
2. Drücken Sie die Taste ▲ oder ▼, um die gewünschte Temperatur einzustellen.
3. Drücken Sie die Taste **SET**, um die Temperatur zu speichern.

Manuelle Abtaugung

Halten Sie die Taste „aux“ für 2 Sekunden gedrückt, um eine manuelle Abtaugung starten. Die Lampe zur Abtaugung leuchtet auf.

Der Abtauzyklus wird automatisch beendet.

Lagerung von Nahrungsmitteln

Sie erzielen die besten Ergebnisse mit Ihrem POLAR-Gerät, wenn Sie folgende Anweisungen beachten:

- Nahrungsmittel dürfen erst nach Erreichen der korrekten Betriebstemperatur im Gerät gelagert werden.
- Legen Sie keine unbedeckten Gegenstände wie die folgenden in das Gerät, da dies zu einem beschädigten und undichten Verdampfer führen kann und somit Ihre Garantie erlischt: heiße Lebensmittel, heiße Flüssigkeiten, säurehaltige Flüssigkeiten, säurehaltige Produkte.
- Nahrungsmittel nach Möglichkeit einwickeln oder bedecken.
- Nicht die Lüfter im Gerät versperren.
- Türen nicht über längere Zeit geöffnet lassen.

Ab-/Aufschließen der Türen

- Um sicherzustellen, dass Nahrungsmittel in Ihrem POLAR-Gerät sicher aufbewahrt werden, sind die Türen mit einem Schloss versehen.
- Mit den Schlüsseln im Lieferumfang können Sie die Tür ab-/aufschließen.

Reinigung, Pflege und Wartung

- Vor Reinigungsarbeiten stets zunächst das Gerät abschalten und den Netzstecker aus der Steckdose ziehen.
- Den Schrank möglichst häufig innen reinigen.
- Keine Scheuermittel verwenden, da diese schädliche Rückstände hinterlassen können.
- Die Türdichtung mit warmem Seifenwasser reinigen.
- Nach dem Reinigen stets mit einem Tuch trocknen.
- Zur Reinigung verwendetes Wasser darf nicht durch die Ablauföffnung in die Auffangschale gelangen.
- Vorsicht beim Reinigen der Geräterückseite. Scharfe Kanten können zu Verletzungen führen.

Tipps zum Kühlen:

- Bei häufigem und längerem Öffnen der Türen bilden sich Kondenswasser und Eis.
- Wenn Sie das Gerät außerhalb des empfohlenen Temperaturbereichs betreiben und es in der Nähe einer Wärmequelle aufstellen, erhöht sich ebenfalls die Menge an Eis und interner/externer Kondensation. Bei äußerer Kondensation wischen Sie die Oberfläche mit einem Tuch ab.
- Übermäßige Vereisung führt zu längeren Laufzeiten, die den Energieverbrauch erhöhen und den Verschleiß der Komponenten beschleunigen.
- Wenn die Dichtung beschädigt oder verformt ist, erhöht sich der Energieverbrauch. Um die Effizienz wiederherzustellen, die Dichtung ersetzen.
- Blockieren Sie die Lüfter nicht und überschreiten Sie nicht die maximalen Belastungsgrenzen. Andernfalls wird die Luftverteilung beeinträchtigt und der Energieverbrauch erhöht.

Reinigen des Kondensators

Eine regelmäßige Reinigung des Verflüssigers kann die Lebensdauer des Geräts verlängern. POLAR empfiehlt, den Kondensator durch einen POLAR-Vertreter oder einen qualifizierten Techniker reinigen zu lassen.

Wird der Kondensator nicht gereinigt, führt dies zu einer Erhöhung des Energieverbrauchs, einer Reduzierung der Leistung und Lebensdauer Ihres Polar-Gerätes und möglicherweise zum Erlöschen Ihrer Garantie.

Störungssuche

Falls erforderlich, muss ein qualifizierter Techniker Reparaturen durchführen.

Störung	Vermutliche Ursache	Lösung
Das Gerät funktioniert nicht	Das Gerät ist nicht eingeschaltet	Prüfen, ob der Netzstecker in die Steckdose gesteckt wurde und das Gerät eingeschaltet ist
	Stecker und Kabel sind beschädigt	Stecker oder Leitung ersetzen
	Fehler Netzstromversorgung	Prüfe Netzstromversorgung
Das Gerät lässt sich einschalten, aber die Temperatur ist zu hoch/niedrig	Zu viel Eis auf dem Verdampfer	Das Gerät abtauen
	Kondensator verstaubt	Reinigen Sie den Kondensator
	Türen sind nicht richtig geschlossen	Prüfen, ob die Türen geschlossen und die Dichtungen intakt sind
	Gerät befindet sich in der Nähe einer Wärmequelle, oder der Luftstrom zum Kondensator ist unterbrochen	Den Kühlschrank an einem geeigneteren Ort aufstellen
	Umgebungstemperatur ist zu hoch	Belüftung intensivieren oder Gerät an einem kühleren Ort aufstellen
	Ungeeignete Nahrungsmittel werden im Gerät aufbewahrt	Einige heiße Nahrungsmittel herausnehmen oder Produkte, die den Lüfter blockieren, entfernen
	Gerät ist überlastet	Weniger Nahrungsmittel im Gerät lagern
Aus dem Gerät läuft Wasser aus	Das Gerät steht nicht gerade	Die Schraubfüße so regulieren, dass das Gerät eben steht (sofern zutreffend)
	Der Ablauf ist verstopft	Den Ablauf säubern
Aus dem Gerät läuft Wasser aus	Wasser kann nicht ablaufen	Den Boden des Geräts von Fremdstoffen reinigen (sofern zutreffend)
	Der Wasserbehälter ist beschädigt	Wenden Sie sich an einen qualifizierten Techniker
	Die Tropfschale fließt über	Die Tropfschale leeren (sofern zutreffend)
Das Gerät ist ungewöhnlich laut	Muttern und/oder Schrauben sind lose	Alle Muttern und Schrauben überprüfen und anziehen
	Das Gerät steht nicht eben oder stabil	Position überprüfen und bei Bedarf ändern
Die Anzeigelampe leuchtet nicht	Lampe ersetzen	Wenden Sie sich an einen qualifizierten Techniker

Technische Spezifikationen

Hinweis: Aufgrund unseres kontinuierlichen Verbesserungsprozesses können sich die Produktspezifikationen ohne Ankündigung.

Modell	Spannung	Leistung	Stromstärke	Temperaturbereich	Bruttokapazität (L)	Nutzbare Nettokapazität (L)	Kältemittelart / Gewicht (kg)	Abmessungen h x b x t mm	Gewicht (kg)
CD086	230V 50Hz	150W	1,1A	2°C ~ 8°C	150	118	R600a (0,035kg)	855 x 600 x 619	47
CD087		185W	1,5A	2°C ~ 8°C	400	246	R600a (0,090kg)	1850 x 600 x 600	72
CD088		185W	1,5A	2°C ~ 8°C	600	414	R600a (0,115kg)	1895 x 777 x 735	93
CB921		500W	2,35A	-10°C ~ -20°C	365	258	R290 (0,110kg)	1855 x 600 x 620	76

Einfluss der Temperatureinstellungen auf die Lebensmittelverschwendung:

Um die Verschwendung von Lebensmitteln durch Zersetzung oder Austrocknung zu reduzieren, sollte dieses Gerät in seinem vorgesehenen Betriebsbereich betrieben werden.

Optimale Temperatur für die Lagerung von Lebensmitteln: 4°C (CD086/CD086/CD088), -18°C (CB921)

Für Ersatzteilbestellungen bitte Ihren Polar Fachhändler kontaktieren:

<https://www.polar-refrigerator.com/stockist>



Mindestzeitraum der Verfügbarkeit von Ersatzteilen:

Türgriffe, Türscharniere, Knöpfe, Drehregler und Knöpfe, Türdichtungen, periphere Ablagen, Körbe und Lagerregale, soweit sie für das Gerät geeignet sind, sind sowohl für Endverbraucher als auch für gewerbliche Nutzer mindestens acht Jahre lang nach Inverkehrbringen des letzten Geräts des Modells verfügbar. Eine breitere Ersatzteil-Auswahl steht während dieses Zeitraums auch den gewerblichen Anwendern zur Verfügung.

Modell-Informationen finden Sie in der Produktdatenbank:

<https://eprel.ec.europa.eu/screen/product/refrigeratingappliancesdirectsalesfunction>



Informationen zum Modell finden Sie auf dem Produkt:

Die Modellbezeichnung befindet sich in der Regel an der Innenwand und auf der Rückseite des Geräts.

Hinweis: Polar bietet eine Mindestgarantie von 2 Jahren. Bitte kontaktieren Sie Ihren autorisierten Fachhändler für weitere Informationen.

Elektroanschlüsse

Der Stecker muss in eine geeignete Steckdose gesteckt werden.

Das Gerät ist wie folgt verdrahtet:

- Stromführender Leiter (braun) an Klemme L
- Neutralleiter (blau) an Klemme N
- Erdleiter (grün/gelb) an Klemme E



Dieses Gerät muss geerdet sein.

Bei Fragen wenden Sie sich bitte an einen qualifizierten Elektriker.

Elektroisolierpunkte dürfen nicht blockiert werden. Bei einem Not-Stopp müssen diese Punkte jederzeit sofort zugänglich sein.

Entsorgung

Gemäß EU-Vorschriften müssen Kühlprodukte von Fachunternehmen entsorgt werden, die alle Gase, Metall- und Kunststoffbauteile entfernen oder recyceln.

Ihre Kommunalverwaltung kann Sie über die Entsorgung Ihres Geräts informieren. Kommunalbehörden sind nicht verpflichtet, gewerbliche Kühlgeräte zu entsorgen. Sie können Sie jedoch über lokale Annahmestellen informieren, die diese Geräte entsorgen.

Oder rufen Sie die POLAR-Helpline an. Wir verfügen über eine Liste nationaler Entsorger in den EU Staaten.

Konformität

Das WEEE-Logo an diesem Produkt oder in der Dokumentation weist darauf hin, dass das Produkt nicht mit dem normalen Hausmüll entsorgt werden darf. Um potenziellen Gesundheits- bzw. Umweltschäden vorzubeugen, muss das Produkt durch einen zugelassenen und umweltverträglichen Recyclingprozess entsorgt werden. Ausführliche Informationen zur korrekten Entsorgung dieses Produkts erhalten Sie von Ihrem Produktlieferanten oder der für die Müllentsorgung in Ihrer Region zuständige Behörde.



Alle POLAR-Produkte werden strengen Tests unterzogen, um die Einhaltung von Normen und Spezifikationen internationaler und nationaler Behörden und unabhängiger Organisationen zu gewährleisten.

POLAR-Produkte dürfen durch folgendes Symbol gekennzeichnet werden:



Alle Rechte vorbehalten. Diese Anleitung darf ohne vorherige schriftliche Genehmigung von POLAR weder ganz noch teilweise in irgendeiner Form oder auf irgendeinem Wege - einschließlich elektronischer, mechanischer Verfahren, durch Fotokopieren, Aufnahme oder andere Verfahren - vervielfältigt oder übertragen werden.

Es werden alle Anstrengungen unternommen um sicherzustellen, dass alle Angaben bei der Drucklegung korrekt sind. POLAR behält sich jedoch das Recht vor, Spezifikationen ohne Vorankündigung zu ändern.

Suggerimenti per la sicurezza

- Posizionare su una superficie piana e stabile.
- L'installazione e le eventuali riparazioni devono venire eseguite da un agente/tecnico qualificato. Non rimuovere i componenti o i pannelli di accesso dell'apparecchio.
- Verificare la conformità alle normative locali e nazionali di quanto segue:
 - Normativa antinfortunistica sul lavoro
 - Linee guida BS EN
 - Precauzioni antincendio
 - Normativa IEE sui circuiti elettrici
 - Norme di installazione
- NON utilizzare sistemi di lavaggio a getto o pressione per pulire l'apparecchio.
- NON utilizzare l'apparecchio per conservare presidi medico-sanitari.
- NON mettere a contatto olio o grassi con i componenti in plastica o con la guarnizione dei portelli.
- Pulire immediatamente in caso di contatto.
- Non conservare prodotti sopra l'apparecchio.
- Per esclusivo uso in ambienti chiusi.
- Le bottiglie contenenti una elevata percentuale di alcool devono venire sigillate e posizionate verticalmente nel frigorifero.
- Trasportare, immagazzinare e movimentare l'apparecchio sempre in posizione verticale e spostarlo mantenendone la base.
- Spegner e disconnettere l'alimentazione dell'unità prima di pulirla.
- Tenere lontano l'imballaggio dalla portata dei bambini. Smaltire l'imballaggio in conformità alle normative locali.

- Se danneggiato, il cavo di alimentazione deve venire sostituito da un agente POLAR o da un tecnico qualificato al fine di prevenire eventuali rischi.
- Assicurarsi che i bambini non giochino con l'apparacchio.
- L'apparecchio non è destinato a essere utilizzato da persone (inclusi i bambini) con ridotte capacità fisiche, sensoriali o mentali, o prive della necessaria esperienza e conoscenza dell'apparecchio, che non abbiano ricevuto supervisione o istruzioni relative all'utilizzo dell'apparecchio dalle persone responsabili della loro sicurezza.
- POLAR raccomanda che questo apparecchio venga periodicamente testato (almeno una volta all'anno) da una persona competente. I test dovrebbero includere, ma non solo: ispezione visiva, test di polarità, continuità di terra, continuità di isolamento e test funzionale.

Attenzione: Rischio di incendio



- Non conservare sostanze esplosive, come bombolette spray con propellente infiammabile in questo apparecchio.



Attenzione: Tenere libere tutte le aperture di ventilazione. L'unità non deve essere installata senza una ventilazione adeguata.

- **Attenzione:** non utilizzare dispositivi meccanici o altri mezzi per accelerare il processo di sbrinamento, diversa dal fabbricante raccomandato Quelli da.
- **Attenzione:** Non danneggiare il circuito refrigerante.
- **Attenzione:** Non usare apparecchi elettrici all'interno degli scomparti per la conservazione degli alimenti.

Introduzione

Leggere con attenzione il presente manuale. La manutenzione e l'utilizzo corretti di questo apparecchio consentiranno di ottenere le massime prestazioni da questo prodotto POLAR.

Contenuto dell'imballaggio

L'imballaggio contiene quanto segue:

- Frigorifero o congelatore POLAR
- Ripiani
- 2 chiavi
- 2 distanziatori
- Manuale di istruzioni

POLAR garantisce una qualità e un servizio impeccabili e assicura che al momento dell'imballaggio tutti i componenti forniti sono integralmente funzionanti e privi di difetti.

Nel caso siano rilevati danni risultanti dal trasporto del prodotto, rivolgersi immediatamente al rivenditore POLAR locale.

Installazione

Nota: una staffa viene utilizzata per sostenere la porta durante il trasporto. Alla ricezione rimuovere la staffa.

Nota: Non per l'uso in furgoni o rimorchi, camion per il trasporto del cibo o veicoli simili. Se l'apparecchio è stato immagazzinato o spostato in posizione non verticale, lasciarlo in posizione verticale per circa 12 ore prima di metterlo in funzione. In caso di dubbio, osservare comunque questa precauzione.

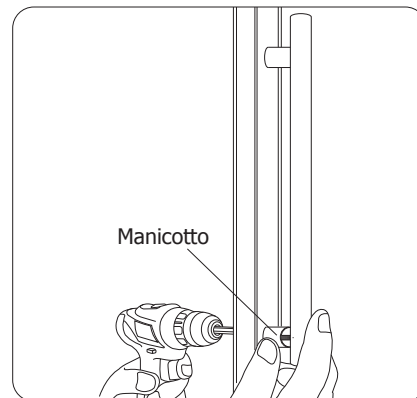
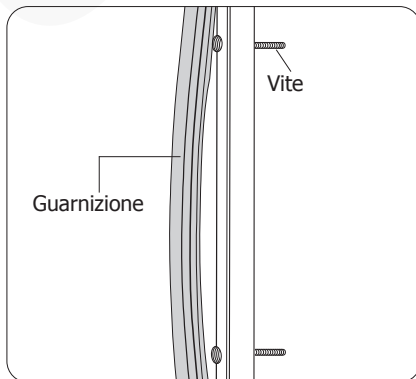
1. Rimuovere l'apparecchio dall'imballaggio. Assicurarsi che la pellicola protettiva e rivestimenti in plastica siano interamente rimossi da tutte le superfici.
2. Per ottimizzare le prestazioni e la longevità, assicurarsi che sia mantenuta una distanza minima di 2,5 cm tra l'unità e le pareti e altri oggetti, con una distanza minima di 20 cm nella parte superiore. **NON POSIZIONARE MAI VICINO A UNA FONTE DI CALORE.**



Nota: prima di utilizzare l'apparecchio per la prima volta, pulire i ripiani e l'interno dell'apparecchio con acqua saponata. L'apparecchio è dotato di piedini di default. Tuttavia, le ruote possono essere fornite come opzione.

Montaggio della maniglia della porta

1. Tirare la guarnizione della porta da parte per esporre i 2 fori preforati. Inserire le viti.
2. Montare il manicotto sull'altra estremità della vite. Serrare le viti per fissare la maniglia in posizione.

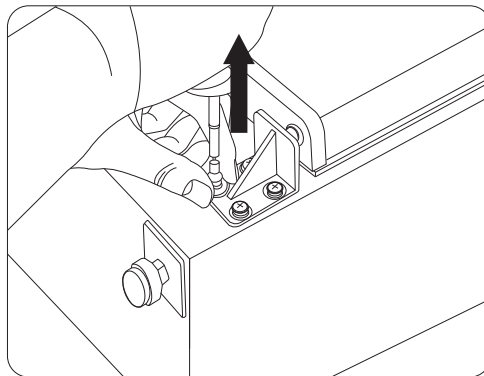
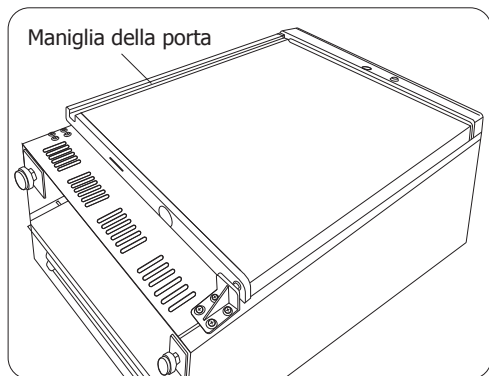


Inversione della porta (Escluso il modello CB921)

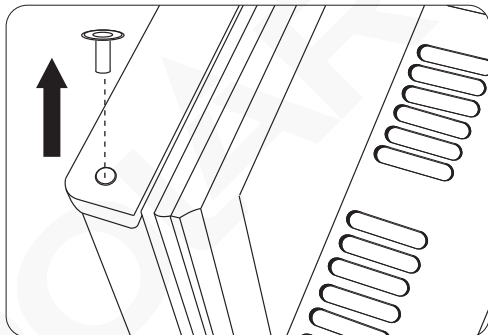
A seconda della posizione dell'elettrodomestico, potrebbe essere necessario modificare la direzione in cui la porta si apre cambiando il lato della maniglia. (Suggerimento: le immagini di questa sezione sono utilizzate solo a scopo illustrativo e possono differire leggermente dall'aspetto degli apparecchi reali).

Per invertire la maniglia della porta:

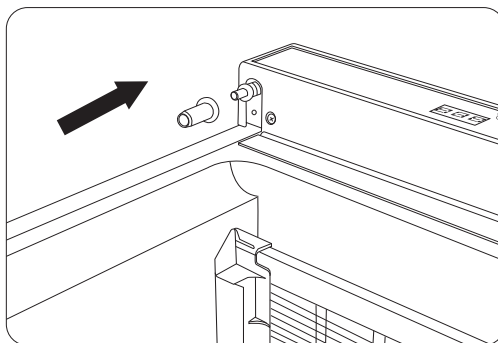
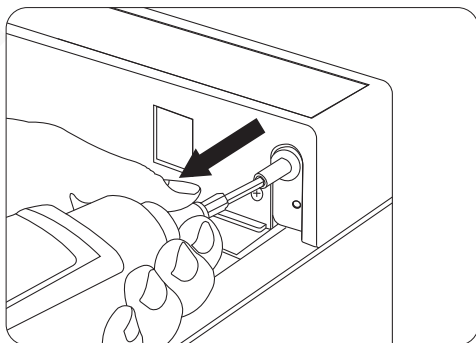
1. La maniglia della porta si trova sul lato sinistro. Smontare la cerniera inferiore destra.



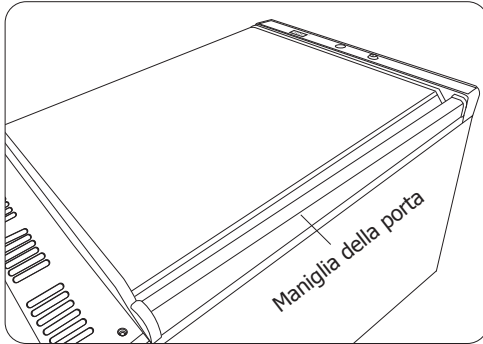
2. Rimuovere la porta dalla cerniera superiore destra. Quindi rimuovere il manicotto della cerniera dalla parte superiore della porta.



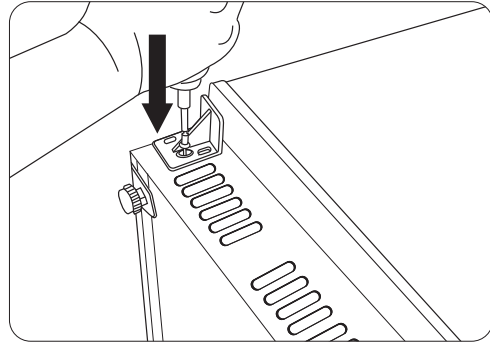
3. Rimuovere la cerniera superiore destra e installarla sul lato sinistro. Successivamente, installare il manicotto sulla cerniera.



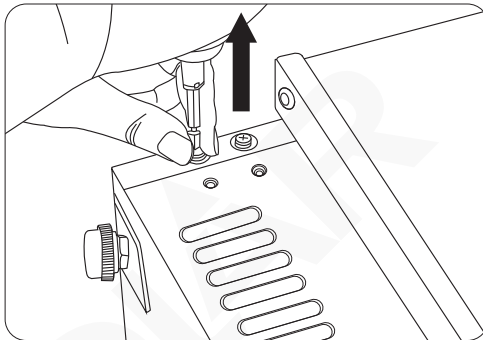
4. Invertire la porta e inserirla nella cerniera superiore sinistra.



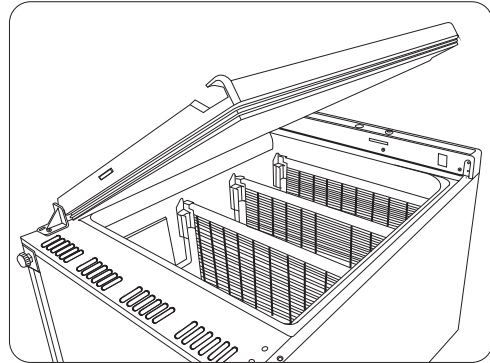
7. Fissare la cerniera in posizione usando le viti precedentemente rimosse.



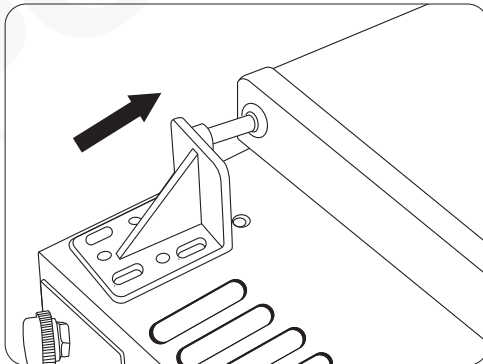
5. Rimuovere le viti premontate sul lato inferiore sinistro.



8. Ora la maniglia della porta si trova sul lato destro.



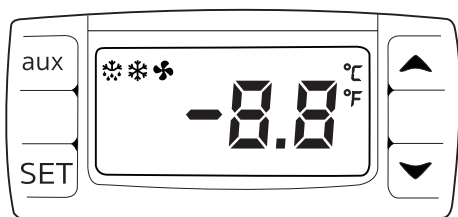
6. Installare la cerniera inferiore destra precedentemente rimossa sul lato sinistro.



Funzionamento

Pannello di controllo

Il pannello di controllo è posizionato sul lato anteriore dell'apparecchio.



Accensione

1. Chiudere la porta dell'apparecchio.
2. Collegare l'apparecchio ad una rete elettrica.

Impostazione della temperatura di funzionamento

1. Tenere premuto il pulsante **SET** per 3 secondi. Il display lampeggia.
2. Premere i pulsanti ▲ o ▼ per visualizzare la temperatura richiesta.
3. Premere il pulsante **SET** per memorizzare la temperatura.

Sbrinamento manuale

Premere senza rilasciare il pulsante "aux" per 2 secondi per avviare lo sbrinamento. La spia di sbrinamento si accende.

Il ciclo di sbrinamento si conclude automaticamente.

Conservazione dei cibi

Per ottenere i migliori risultati dall'apparecchio POLAR, osservare le seguenti istruzioni:

- Conservare i cibi nell'apparecchio solo quando esso ha raggiunto la corretta temperatura di esercizio.
- Non collocare all'interno dell'apparecchio oggetti non coperti come quelli indicati di seguito, in quanto ciò potrebbe danneggiare l'evaporatore e causare perdite, invalidando così la garanzia: cibi caldi, liquidi caldi, liquidi acidi, prodotti acidi.
- Se possibile, avvolgere o coprire i cibi.
- Non ostruire le ventole all'interno dell'apparecchio.
- Evitare di aprire le porte per periodi prolungati di tempo.

Blocco/sblocco delle porte

- Una serratura è montata sulle porte per assicurare che i cibi siano conservati al sicuro all'interno dell'apparecchio POLAR.
- Utilizzare le chiavi fornite per bloccare/sbloccare la porta.

Pulizia e manutenzione

- Prima di eseguire la pulizia, spegnere e scollegare l'alimentazione.
- Pulire l'interno dell'apparecchio quanto più spesso possibile.
- Non utilizzare detergenti abrasivi in quanto possono lasciare residui nocivi.
- Pulire la tenuta della porta con acqua calda saponata.
- Asciugare sempre dopo la pulizia.
- Non permettere all'acqua utilizzata per la pulizia di penetrare attraverso il foro di scarico nella vasca di raccolta dell'acqua di sbrinamento.
- Prestare attenzione durante la pulizia della parte posteriore dell'apparecchio. Gli attrezzi con bordi taglienti possono provocare tagli.

Consigli per la refrigerazione:

- Con l'apertura frequente e prolungata delle porte si formano condensa e ghiaccio.
- Anche il funzionamento al di fuori dell'intervallo di temperatura consigliato e la collocazione vicino a una fonte di calore aumentano la formazione di ghiaccio e di condensa interna/esterna. In caso di condensa esterna, pulire la superficie con un panno.
- L'eccesso di ghiaccio provoca tempi di funzionamento più lunghi che aumentano il consumo energetico e il deterioramento dei componenti.
- Se la guarnizione o la tenuta sono danneggiate o deformate, il consumo energetico aumenta. Per ripristinare l'efficienza, sostituire la guarnizione.
- Non ostruire le ventole e non superare le linee di carico massimo, in quanto ciò comprometterebbe la distribuzione dell'aria e aumenterebbe il consumo energetico.

Pulizia del condensatore

La pulizia periodica del condensatore può prolungare la durata dell'apparecchio. POLAR consiglia di far pulire il condensatore da un agente POLAR o da un tecnico qualificato.

Non pulire il condensatore comporta un aumento del consumo energetico, una riduzione delle prestazioni e della vita utile dell'unità Polar e può quindi invalidare la garanzia.

Risoluzione dei problemi

Se necessario, un tecnico qualificato deve eseguire le riparazioni.

Guasto	Probabile causa	Azione
L'apparecchio non funziona	L'apparecchio non è acceso	Controllare che l'apparecchio sia correttamente collegato e acceso
	La presa e il cavo sono danneggiati	Sostituire la spina o il cavo
	Guasto alimentazione di rete	Controllare l'alimentazione di rete
L'apparecchi si accende ma la temperatura è troppo alta o troppo bassa	Quantità eccessiva di ghiaccio nell'evaporatore	Sbrinare l'apparecchio
	Il condensatore è bloccato dalla polvere	Pulire il condensatore
	I portelli non sono chiusi in maniera appropriata	Controllare che i portelli siano chiusi e che le guarnizioni di tenuta non siano danneggiate
	L'apparecchio è posizionato in prossimità di una sorgente di calore oppure il flusso di aria al condensatore è interrotto	Spostare il frigorifero in una posizione più appropriata
	La temperatura ambientale è troppo alta	Aumentare la ventilazione oppure spostare l'apparecchio in una posizione più fresca
	Sono stati conservati nell'apparecchio cibi non appropriati	Rimuovere i cibi eccessivamente caldi o le ostruzioni della ventola
	L'apparecchio è sovraccarico	Ridurre la quantità dei cibi presenti nell'apparecchio
L'apparecchio perde acqua	L'apparecchio non è in posizione piana	Regolare i piedi al fine di mantenere in piano l'apparecchio (se pertinente)
	La bocca di scarico è bloccata	Pulire la bocca di scarico
L'apparecchio perde acqua	Il movimento dell'acqua verso lo scarico è ostruito	Pulire il pavimento dell'apparecchio (se pertinente)
	Il contenitore dell'acqua è danneggiato	Consultare un tecnico qualificato
	La vaschetta di raccolta dell'acqua di sbrinamento è troppo piena	Svuotare la vaschetta di raccolta dell'acqua di sbrinamento (se pertinente)
L'apparecchio presenta una rumorosità eccessiva	Dadi o viti allentati	Controllare e serrare tutti i dadi e le viti
	L'apparecchio non è stato installato in una posizione in piano o stabile	Controllare la posizione di installazione e modificarla se necessario
La lampadina della vetrina non si accende	Sostituire la lampadina	Consultare un tecnico qualificato

Specifiche tecniche

Nota: a causa del nostro continuo processo di miglioramento, le specifiche del prodotto sono soggette a modifiche senza preavviso.

Modello	Tensione	Alimentazio	Corrente	Intervallo di temperatura	Capacità lorda (L)	Capacità utile netta (L)	Tipo di refrigerante / peso (kg)	Dimensioni h x l x p mm	Peso (Kg)
CD086	230V 50Hz	150W	1,1A	2°C ~ 8°C	150	118	R600a (0,035kg)	855 x 600 x 619	47
CD087		185W	1,5A	2°C ~ 8°C	400	246	R600a (0,090kg)	1850 x 600 x 600	72
CD088		185W	1,5A	2°C ~ 8°C	600	414	R600a (0,115kg)	1895 x 777 x 735	93
CB921		500W	2,35A	-10°C ~ -20°C	365	258	R290 (0,110kg)	1855 x 600 x 620	76

Impatto delle impostazioni di temperatura sulla generazione di rifiuti alimentari:

Al fine di ridurre lo spreco di cibo dovuto alla decomposizione o alla disidratazione, questo apparecchio deve essere utilizzato nell'intervallo di funzionamento designato.

Temperatura ottimale per la conservazione degli alimenti: 4°C (CD086/CD086/CD088), -18°C (CB921)

Per ordinare le parti di ricambio, contattare il proprio Rivenditore Polar:

<https://www.polar-refrigerator.com/stockist>



Periodo minimo di disponibilità delle parti di ricambio:

Le maniglie delle porte, le cerniere delle porte, i pomelli, i quadranti e i pulsanti, le guarnizioni delle porte, i vassoi periferici, i cestelli e i ripiani per la conservazione, a seconda dell'apparecchio, saranno messi a disposizione sia dei privati che dei professionisti per un minimo di otto anni dopo che l'ultima unità del modello di riferimento è stata immessa sul mercato. Per questo periodo sarà inoltre messa a disposizione dei Professionisti una selezione più ampia di parti.

Le informazioni sul modello possono essere trovate nel database del prodotto:

<https://eprel.ec.europa.eu/screen/product/refrigeratingappliancesdirectsalesfunction>



Le informazioni sul modello possono essere trovate sul prodotto:

L'identificativo del modello si trova solitamente sulla parete interna e sul retro dell'unità.

Nota: Polar offre una garanzia minima di 2 anni, contattare un rappresentante autorizzato per maggiori dettagli.

Cablaggi elettrici

La spina deve venire collegata a una presa di rete appropriata.

L'apparecchio ha i seguenti cablaggi:

- Filo sotto tensione (colore marrone) a terminale L
- Filo del neutro (colore blu) a terminale N
- Filo di terra (colore verde/giallo) a terminale E

Questa apparecchiatura deve essere collegata a terra.



In caso di dubbi, consultare un elettricista qualificato.

I punti di isolamento elettrico devono essere liberi da ostruzioni. In caso di emergenza, i punti devono essere facilmente raggiungibili qualora sia necessario scollegarli.

Smaltimento

Le normative UE prevedono che lo smaltimento dei prodotti di refrigerazione sia eseguito da aziende specializzate nella rimozione o nel riciclaggio di tutti i gas e dei componenti in metallo e plastica.

Rivolgersi all'ente locale incaricato per informazioni sullo smaltimento di questo apparecchio. Gli enti locali non hanno l'obbligo di procedere allo smaltimento di apparecchi di refrigerazione commerciali ma sono in grado di fornire suggerimenti sulla modalità di smaltimento di tali apparecchi.

In alternativa, chiamare la helpline telefonica di POLAR per ricevere informazioni dettagliate sulle aziende di smaltimento nella UE.

Conformità

Il logo WEEE riportato su questo prodotto o sulla relativa documentazione indica che il prodotto non può essere smaltito come normale rifiuto domestico. Per evitare possibili danni alla salute e/o all'ambiente, il prodotto deve venire smaltito utilizzando una procedura di riciclaggio approvata e sicura per l'ambiente. Per ulteriori informazioni su come smaltire in maniera corretta questo prodotto, contattare il fornitore del prodotto o l'ente locale responsabile per lo smaltimento dei rifiuti.



I componenti POLAR sono stati sottoposti a un rigoroso collaudo ai fini della conformità agli standard e alle specifiche normative previste dalle autorità internazionali, indipendenti e federali.

I prodotti POLAR sono autorizzati a esporre il seguente simbolo:

Tutti i diritti riservati. È vietata la riproduzione o la trasmissione in alcuna forma, elettronica, meccanica, mediante fotocopiatura o altro sistema di riproduzione, di qualsiasi parte delle presenti istruzioni senza la previa autorizzazione scritta di POLAR.

Le informazioni contenute sono corrette e accurate al momento della stampa, tuttavia POLAR si riserva il diritto di modificare le specifiche senza preavviso.

Consejos de Seguridad

- Colóquelo sobre una superficie plana y estable.
- Un agente del servicio técnico cualificado debería llevar a cabo la instalación y cualquier reparación que se precise. No retire ningún componente ni panel de servicio de este producto.
- Consulte las Normas Locales y Nacionales correspondientes a lo siguiente:
 - Legislación de Seguridad e Higiene en el Trabajo
 - Códigos de Práctica BS EN
 - Precauciones contra Incendios
 - Normativas de Cableado de la IEE
 - Normativas de Construcción
- No utilice dispositivos de lavado de chorro a presión para limpiar el aparato.
- NO utilice el aparato en el exterior.
- NO utilice este aparato para almacenar existencias médicas.
- NO deje que el aceite o la grasa entren en contacto con los componentes de plástico o la junta de la puerta. Limpie el aparato inmediatamente si se produce contacto.
- NO almacene productos encima del aparato.
- Sólo adecuado para uso en interiores.
- Las botellas que contienen un alto porcentaje de alcohol deben sellarse y colocarse verticalmente en el frigorífico.
- Siempre debe transportar, almacenar y manipular el aparato verticalmente y moverlo cogiéndolo de la base.
- Desconecte la máquina y desenchúfela del suministro eléctrico de la unidad siempre antes de llevar a cabo la limpieza.
- Mantenga el embalaje lejos del alcance de los niños.
Deshágase del embalaje de acuerdo con las normativas de las autoridades locales.

- Si el cable eléctrico está dañado, debe ser reemplazado por un agente de POLAR o un técnico cualificado recomendado para evitar cualquier riesgo.
- Los niños deben ser supervisados para evitar que no jueguen con el aparato.
- Este aparato no debe ser utilizado por personas (niños incluidos) que tengan limitadas sus capacidades físicas, sensoriales o mentales, o que no tengan experiencia y conocimientos, a menos que estén bajo la supervisión o hayan recibido instrucciones relativas al uso del aparato a cargo de una persona responsable de su seguridad.
- POLAR recomienda que este aparato debe ser periódicamente probado (al menos anualmente) por una Persona Competente. La prueba debe incluir, pero no debe estar limitado a: Inspección visual, Prueba de polaridad, Toma a tierra, continuidad de aislamiento y prueba Funcional.

Precaución: Riesgo de Incendio



- No guarde sustancias explosivas, tales como latas de aerosol con un propulsor inflamable, en este aparato.



Advertencia: Mantenga los orificios de ventilación libres de obstrucciones. Asegúrese de que la unidad disponga de una ventilación adecuada.

- **Advertencia:** No utilice dispositivos mecánicos u otros medios para acelerar el proceso de descongelación, que no sean aquellos recomendados por el fabricante.
- **Advertencia:** No dañe el circuito refrigerante.
- **Advertencia:** No utilice aparatos eléctricos dentro de los compartimentos de almacenamiento de alimentos del aparato.

Introducción

Tómese unos minutos para leer este manual. El correcto mantenimiento y manejo de esta máquina proporcionará el mejor funcionamiento posible de su producto POLAR.

Contenido del Conjunto

Se incluye lo siguiente:

- Frigorífico o Congelador POLAR
- Estanterías
- Llaves x 2
- Espaciador x 2
- Manual de instrucciones

POLAR se enorgullece de su calidad y servicio y asegura que en el momento del embalaje, el contenido se suministró con plena funcionalidad y sin ningún defecto.

Si encontrara algún daño resultante del transporte, póngase en contacto inmediatamente con su distribuidor POLAR.

Instalación

Nota: Se utiliza un soporte para sostener la puerta durante el transporte. Al recibirlo, retire el soporte.

Nota: No debe utilizarse en furgonetas o remolques, camiones de alimentos o vehículos similares.

Si el aparato no se ha almacenado o transportado en posición vertical, déjelo en posición vertical durante aproximadamente 12 horas antes del funcionamiento. Si tiene alguna duda, deje el aparato en posición vertical.

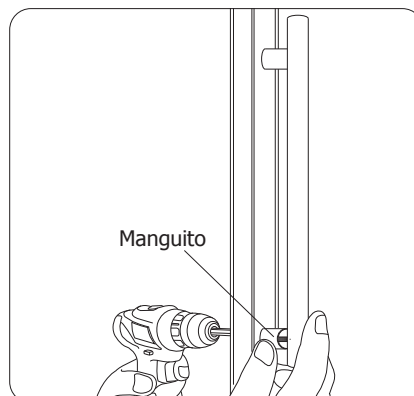
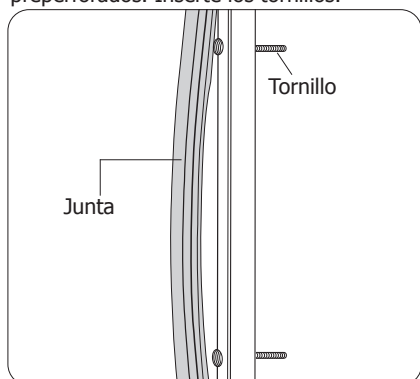
1. Desembale el aparato. Asegúrese de que todos los revestimientos y las láminas de plástico de protección se hayan quitado totalmente de todas las superficies.
2. Para optimizar el rendimiento y la longevidad, asegúrese de que se mantenga un espacio libre mínimo de 2,5 cm entre la unidad y las paredes y otros objetos, con un espacio mínimo de 20 cm en la parte superior. **NUNCA UBICAR AL LADO DE UNA FUENTE DE CALOR.**

Nota: antes de utilizar el aparato por primera vez, limpie los estantes y el interior con agua con jabón.

El aparato se suministra con patas por defecto. Sin embargo, las ruedas pueden suministrarse como una opción.

Montaje de la manilla de la puerta

1. Tire de la junta de la puerta a un lado para dejar al descubierto los 2 agujeros preperforados. Inserte los tornillos.
2. Monte el manguito en el otro extremo del tornillo. Apriete los tornillos para fijar la manilla en su sitio.

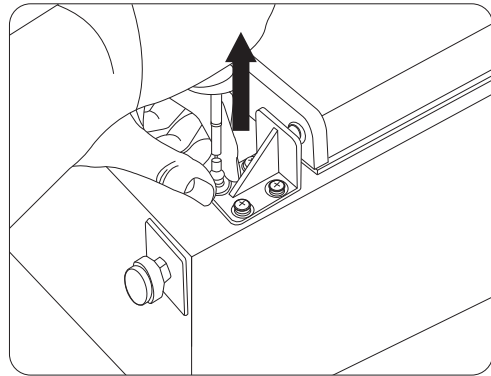
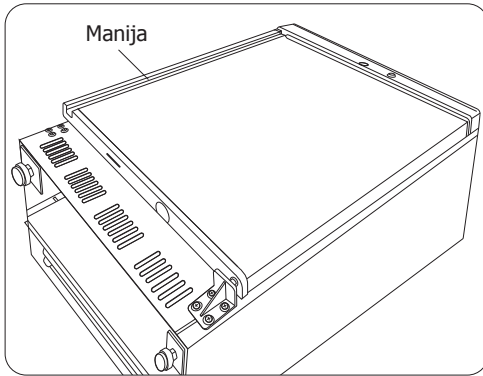


Invertir la puerta (Excluido el modelo CB921)

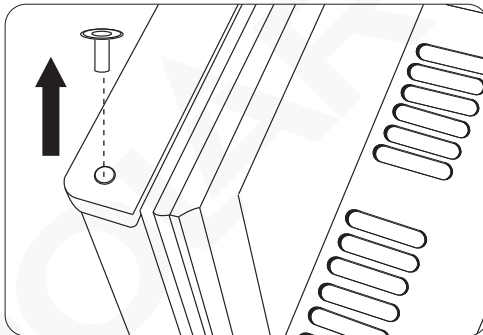
Dependiendo de la ubicación del electrodoméstico, puede ser necesario cambiar la dirección en que se abre la puerta cambiando el lado de la manija de la puerta. (Consejo: Las imágenes de esta sección se utilizan sólo para ilustrar y pueden diferir ligeramente del aspecto de los aparatos reales).

Para invertir la manija de la puerta:

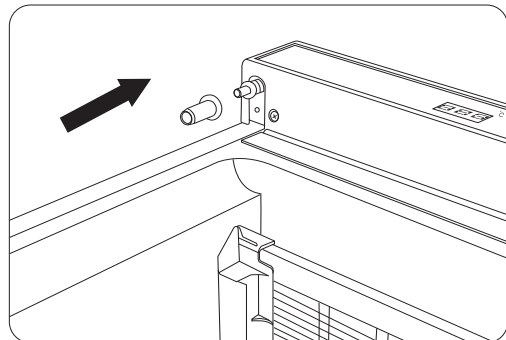
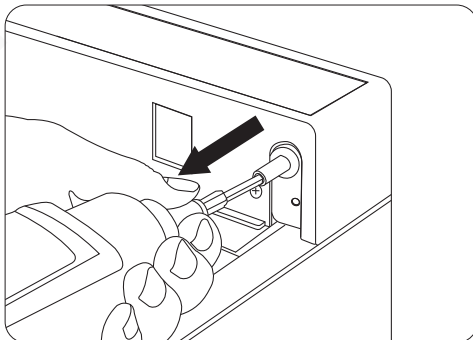
1. La manija de la puerta está en el lado izquierdo. Desmontar la bisagra inferior derecha.



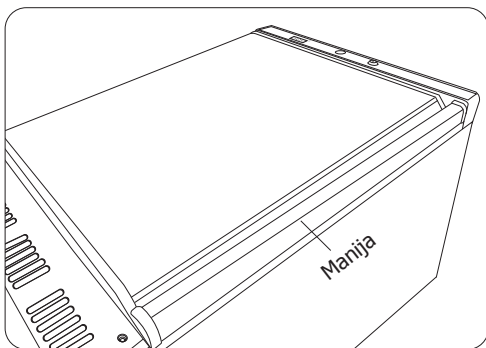
2. Retire la puerta de la bisagra superior derecha. Luego retire la manga de la bisagra de la parte superior de la puerta.



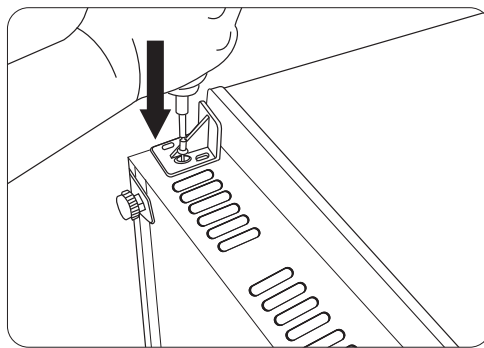
3. Retire la bisagra superior derecha e instálela en el lado izquierdo. Luego, instale la manga de la bisagra en la bisagra.



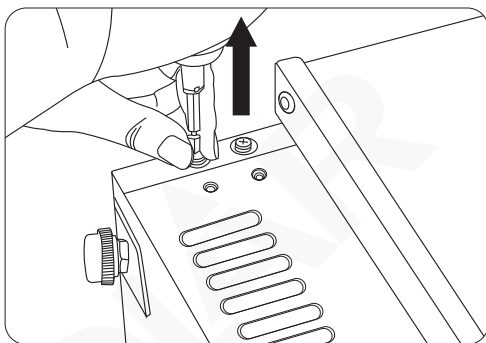
4. Deslice la puerta y cuélguela en la bisagra superior izquierda.



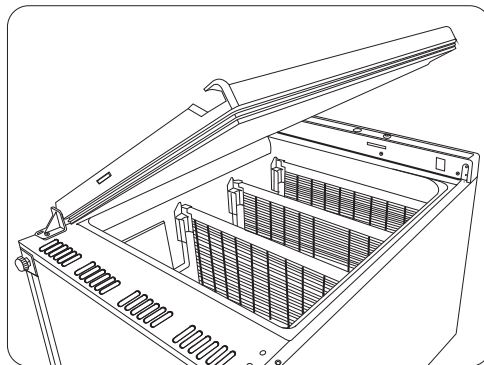
7. Fije la bisagra en su sitio utilizando los tornillos retirados previamente.



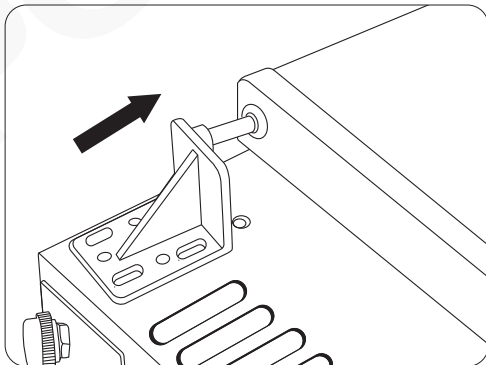
5. Retire los tornillos premontados en el lado inferior izquierdo.



8. Ahora la manija de la puerta está instalada en el lado derecho.



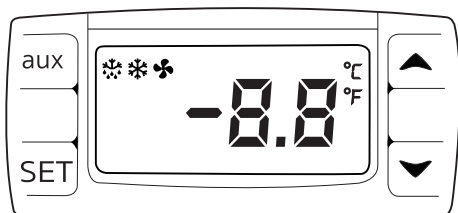
6. Instale la bisagra inferior derecha, previamente extraída, en el lado izquierdo.



Funcionamiento

Panel de control

El panel de control se encuentra en el frontal del aparato.



Encender

1. Cerrar la puerta del aparato.
2. Conecte el aparato a una red eléctrica.

Ajuste de la Temperatura de Funcionamiento

1. Mantenga presionado el botón **SET** durante 3 segundos. El visualizador se enciende.
2. Pulse el botón ▲ o los botones ▼ para visualizar la temperatura deseada.
3. Pulse el botón **SET** para fijar la temperatura.

Descongelación Manual

Mantenga pulsado el botón de descongelación "aux" durante 2 segundos para comenzar un deshielo manual. La luz ilumina descongelación.

El ciclo de descongelación finalizará automáticamente.

Almacenamiento de comida

Para obtener los mejores resultados de su aparato POLAR, siga estas instrucciones:

- Guarde alimentos en el aparato sólo cuando haya alcanzado la temperatura de funcionamiento correcta.
- No coloque en el interior del aparato objetos que no estén cubiertos como los que se indican a continuación, ya que esto puede hacer que el evaporador se dañe y tenga fugas, anulando así la garantía: alimentos calientes, líquidos calientes, líquidos ácidos, productos ácidos.
- Envuelva o cubra la comida siempre que sea posible.
- No obstruya los ventiladores en el interior del aparato.
- Evite la apertura de las puertas durante períodos de tiempo prolongados.

Cerrar / Abrir las puertas con llave

- Se incorpora una cerradura a las puertas para garantizar que los alimentos se mantengan seguros dentro de su aparato POLAR.
- Utilice las llaves suministradas para abrir / cerrar la puerta.

Limpieza, Cuidado y Mantenimiento

- Desconecte la máquina y desenchúfela de la toma eléctrica antes de llevar a cabo la limpieza.
- Limpie el interior del aparato con la mayor frecuencia posible.
- No utilice productos de limpieza abrasivos. Estos pueden dejar residuos nocivos.
- Limpie el sello de la puerta con agua tibia y jabonosa.
- Seque bien el aparato después de limpiarlo.
- No permita que el agua utilizada en la limpieza pase por el agujero de desagüe hacia la bandeja de goteo.
- Vaya con cuidado al limpiar la parte trasera del aparato. Los bordes afilados pueden cortar.

Consejos de refrigeración:

- La condensación y el hielo se formarán con la apertura frecuente y prolongada de las puertas.
- El funcionamiento fuera del rango de temperatura recomendado y la colocación junto a una fuente de calor también aumentarán la cantidad de hielo y la condensación interna/externa. Si se produce condensación externa, limpie la superficie con un paño.
- El exceso de hielo provocará tiempos de funcionamiento más largos que aumentarán el consumo de energía y el deterioro de los componentes.
- Si la junta o el sello están dañados o deformados, aumentará el consumo de energía. Para restablecer la eficiencia, sustituya la junta.
- No obstruya los ventiladores ni exceda los niveles de carga máxima. Hacerlo afectaría a la distribución del aire y aumentaría el uso energético.

Limpieza del condensador

La limpieza periódica del condensador puede prolongar la vida útil del aparato. POLAR recomienda que un agente POLAR o un técnico cualificado limpie el condensador.

No limpiar el condensador aumentará el consumo energético, reducirá el rendimiento y la vida útil de su unidad Polar y, por lo tanto, invalidará la garantía.

Resolución de problemas

Un técnico calificado debe realizar las reparaciones si es necesario.

Fallo	Causa probable	Acción
El aparato no funciona	El aparato no está conectado	Compruebe que el aparato esté enchufado correctamente y conectado
	El enchufe y el cable están dañados	Reemplace el enchufe o el cable
	Fallo de la fuente de alimentación de red	Compruebe la fuente de alimentación de red
El aparato se activa, pero la temperatura es demasiado alta / baja	Hay demasiado hielo en el evaporador	Descongele el aparato
	Condensador bloqueado con polvo	Limpie el condensador
	Las puertas no están bien cerradas	Compruebe que las puertas estén cerradas y las juntas no estén dañadas
	El aparato se encuentra cerca de una fuente de calor o el caudal de aire hacia el condensador está siendo interrumpido	Traslade el frigorífico a un lugar más adecuado
	La temperatura ambiente es demasiado alta	Aumente la ventilación o traslade el aparato a un lugar más fresco
	Se guardan alimentos no adecuados en el aparato	Retire cualquier exceso de alimentos calientes u obstrucciones del ventilador
	El aparato está sobrecargado	Reduzca la cantidad de alimentos guardados en el aparato
Hay fugas de agua en el aparato	El aparato no está bien nivelado	Ajuste las patas enroscadas para nivelar el aparato (si es aplicable)
	La salida de descarga está bloqueada	Limpie la salida de descarga
Hay fugas de agua en el aparato	El movimiento del agua hacia el desagüe está obstruido	Limpie la base del aparato (si es aplicable)
	El contenedor de agua está dañado	Consulte a un técnico cualificado
	La bandeja de goteo está rebosando	Vacíe la bandeja de goteo (si es aplicable)
El aparato es inusualmente ruidoso	Tuerca / tornillo flojo	Compruebe y apriete todos los tornillos y las tuercas
	El aparato no se ha instalado en una posición estable o nivelada	Compruebe la posición de la instalación y cámbiela si es necesario
No se enciende la bombilla del visualizador	Debe cambiarse la bombilla	Consulte a un técnico cualificado

Especificaciones Técnicas

Nota: Debido a nuestro proceso de mejora continua, las especificaciones del producto están sujetas a cambios sin previo aviso.

Modelo	Tensión	Potencia	Potencia	Margen de Temperaturas	Capacidad bruta (L)	Capacidad neta utilizable (L)	Tipo de refrigerante / peso (kg)	Dimensiones a x a x p mm	Peso (kg)
CD086	230V 50Hz	150W	1,1A	2°C ~ 8°C	150	118	R600a (0,035kg)	855 x 600 x 619	47
CD087		185W	1,5A	2°C ~ 8°C	400	246	R600a (0,090kg)	1850 x 600 x 600	72
CD088		185W	1,5A	2°C ~ 8°C	600	414	R600a (0,115kg)	1895 x 777 x 735	93
CB921		500W	2,35A	-10°C ~ -20°C	365	258	R290 (0,110kg)	1855 x 600 x 620	76

Impacto de los ajustes de temperatura en el desperdicio de alimentos:

Para reducir el desperdicio de alimentos por descomposición o deshidratación, este aparato debe funcionar en su rango de funcionamiento designado.

Temperatura óptima para el almacenamiento de alimentos: 4°C (CD086/CD086/CD088), -18°C (CB921)

Para pedir piezas de repuesto, contáctese con su distribuidor Polar:

<https://www.polar-refrigerator.com/stockist>



Período mínimo de piezas de repuesto que deben estar disponibles:

Los tiradores, bisagras, pomos, diales y botones de las puertas, las juntas de las puertas, las bandejas periféricas, las cestas y los estantes para el almacenamiento, según corresponda al aparato, se pondrán a disposición tanto de los usuarios finales como de los usuarios profesionales durante un mínimo de ocho años después de la comercialización de la última unidad del modelo. También se pondrá a disposición de los usuarios profesionales una selección más amplia de piezas durante este periodo.

La información sobre el modelo se puede encontrar en la base de datos de productos:

<https://eprel.ec.europa.eu/screen/product/refrigeratingappliancesdirectsalesfunction>



La información sobre el modelo se puede encontrar en el producto:

El identificador del modelo suele encontrarse en la pared interior y en el reverso de la unidad.

Nota: Polar ofrece una garantía mínima de 2 años, contáctese con el representante autorizado para obtener más detalles.

Cableado Eléctrico

El enchufe tiene que conectarse a una toma eléctrica adecuada.

Este aparato está conectado de la forma siguiente:

- Cable cargado (de color marrón) al terminal marcado como L
- Cable neutro (de color azul) al terminal marcado como N
- Cable de tierra (de color verde / amarillo) al terminal marcado como E

Este aparato debe conectarse a una toma de tierra.



Si tiene alguna duda, consulte a un electricista cualificado.

Los puntos de aislamiento eléctrico deben mantenerse libres de cualquier obstrucción. En caso de precisarse una desconexión de emergencia, deben estar disponibles de forma inmediata.

Desecho

Las normativas de la UE requieren que los productos de refrigeración sean desechados por compañías especializadas que extraigan o reciclen todos los gases, componentes metálicos y de plástico.

Consulte a su autoridad local de recogida de residuos a la hora de desechar su aparato. Las autoridades locales no están obligadas a eliminar los equipos de refrigeración comerciales pero pueden ofrecer consejo sobre cómo desechar los equipos localmente.

Otra opción es llamar a la línea de asistencia de POLAR para pedir información sobre las compañías nacionales de desechos de la UE.

Cumplimiento

El logotipo WEEE en este producto o su documentación indica que no debe eliminarse como un residuo doméstico. Para ayudar a prevenir posibles daños a la salud humana y/ o el medio ambiente, el producto debe eliminarse en un proceso de reciclaje aprobado y medioambientalmente seguro. Para obtener más información sobre cómo eliminar correctamente este producto, póngase en contacto con el proveedor del mismo o la autoridad local responsable de la eliminación de residuos en su zona.



Las piezas POLAR han pasado estrictas pruebas de productos para cumplir las especificaciones y normas reguladoras establecidas por las autoridades internacionales, independientes y federales.



Los productos POLAR han sido autorizados para llevar el símbolo siguiente:

Reservados todos los derechos. Puede estar prohibida la reproducción o transmisión en cualquier forma o por cualquier medio electrónico, mecánico, de fotocopiado, registro o de otro tipo, de cualquier parte de estas instrucciones sin la autorización previa y por escrito de POLAR.

Se ha hecho todo lo posible para garantizar que todos los datos son correctos en el momento de su publicación; sin embargo, POLAR se reserva el derecho a modificar las especificaciones sin que medie notificación previa.

DECLARATION OF CONFORMITY

• Conformiteitsverklaring • Déclaration de conformité • Konformitätserklärung • Dichiarazione di conformità •
• Declaración de conformidad

Equipment Type • Uitrustingstype • Type d'équipement • Gerätetyp • Tipo di apparecchiatura • Tipo de equipo			Model • Modèle • Modell • Modello • Modelo					
C-Series Fridge 1. Stainless Steel Under Counter 150Ltr 2. Stainless Steel Upright 400Ltr 3. Stainless Steel Upright 600Ltr 4. White Under Counter 150Ltr 5. White Upright 400Ltr 6. White Upright 600Ltr	C-Series Freezer 7. Stainless Steel Under Counter 140Ltr 8. Stainless Steel Upright 365Ltr 9. Stainless Steel Upright 600Ltr 10. White Under Counter 140Ltr 11. White Upright 365Ltr 12. White Upright 600Ltr	C-Series Display 13. White Under Counter Fridge 150Ltr 14. White Upright Fridge 400Ltr 15. White Upright Fridge 600Ltr 16. White Upright Freezer 365Ltr	1. CD080 2. CD082 3. CD084 4. CD610 5. CD612 6. CD614	7. CD081 8. CD083 9. CD085 10. CD611 11. CD613 12. CD615 (including - E & -A models)	13. CD086 14. CD087 15. CD088 16. CB921			
Application of Territory Legislation & Council Directives(s) Toepassing van Europese Richtlijn(en) • Application de la/des directive(s) du Conseil • Anwendbare EU-Richtlinie(n) • Applicazione delle Direttive • Aplicación de la(s) directiva(s) del consejo			Machinery Directive 2006/42/EC Supply of Machinery (Safety) Regulations 2008 EN 60335-1:2012 +A11:2014 +A13:2017 +A1:2019 +A14:2019 +A2:2019 EN 60335-2-89:2010 +A1:2016 +A2:2017 EN62233:2008 Electro-Magnetic Compatibility (EMC) Directive 2014/30/EU - recast of 2004/108/EC Electromagnetic Compatibility Regulations 2016 (S.I. 2016/1091) EN IEC 55014-1: 2021 EN IEC 55014-2: 2021 EN IEC 61000-3-2: 2019+A1:2021 EN 61000-3-3: 2013+A1:2019+A2: 2021 Regulation (EU) 2015/1095 - Ecodesign professional refrigerators EN 16825: 2016 +A1:2019 Regulation (EU) 2019/2024 - Ecodesign direct sales refrigerators ISO 23953-2:2015 Restriction of Hazardous Substances Directive (RoHS) 2015/863 amending Annex II to Directive 2011/65/EU Restriction of the Use of Certain Hazardous Substances in Electrical and Electronic Equipment Regulations 2012 (S.I. 2012/3032)			Electrical Safety IEC 60335-1:2010 +A1:2013 +A2:2016 IEC 60335-2-89:2010 +A1:2012 +A2:2015 Electromagnetic Compatibility EN IEC 55014-1: 2021 EN IEC 55014-2: 2021 EN IEC 61000-3-2: 2019+A1:2021 EN 61000-3-3: 2013+A1:2019+A2: 2021		
Manufacturer Name • Naam fabrikant • Nom du fabricant • Name des Herstellers • Nome del fabbricante • Nombre del fabricante			Polar					

I, the undersigned, hereby declare that the equipment specified above conforms to the above Territory Legislation, Directive(s) and Standard(s).

Ik, de ondergetekende, verklaar hierbij dat de hierboven gespecificeerde uitrusting goedgekeurd is volgens de bovenstaande Richtlijn(en) en Standaard(en).

Je soussigné, confirme la conformité de l'équipement cité dans la présente à la / aux Directive(s) et Norme(s) ci-dessus

Ich, der/die Unterzeichnende, erkläre hiermit, dass das oben angegebene Gerät der/den oben angeführten Richtlinie(n) und Norm(en) entspricht.

Il sottoscritto dichiara che l'apparecchiatura di sopra specificata è conforme alle Direttive e agli Standard sopra riportati.

El abajo firmante declara por la presente que el equipo arriba especificado está en conformidad con la(s) directiva(s) y estándar(es) arriba mencionadas.

Date • Data • Date • Datum • Data •

Fecha

Signature • Handtekening •

Signature • Unterschrift Firma •

Firma

Full Name • Volledige naam • Nom et prénom

• Vollständiger Name • Nome completo •

Nombre completo

Position • Functie • Fonction • Position •

Qualifica • Posición

Manufacturer Address • Adres fabrikant •

Adresse du fabricant • Adresse des Herstellers

• Indirizzo del fabbricante • Dirección del fabricante

18th Jun 2024

DocuSigned by:

Ashley Hooper

B39382C9FD9C478...

Ashley Hooper

DocuSigned by:

Eoghan Donnellan

D352874F7FAB460...

Eoghan Donnellan

DocuSigned by:

Brendan

386FAD00DFE8483...

Brendan Denmeade

Group Head of Product Quality & Compliance

Commercial Manager/Importer

Commercial Manager/Responsible Supplier

**Fourth Way,
Avonmouth,
Bristol,
BS11 8TB
United Kingdom**

**Unit 9003,
Blarney Business Park,
Blarney,
Co. Cork
Ireland**

**15 Badgally Road,
Campbelltown
NSW 2560**





UK	+44 (0)845 146 2887
Eire	
NL	040 – 2628080
FR	01 60 34 28 80
BE-NL	0800-29129
BE-FR	0800-29229
DE	0800 – 1860806
IT	N/A
ES	901-100 133

POLAR



<http://www.polar-refrigerator.com/> 

CD086-CD087-CD088_CB921_ML_A5_v22_2024/11/04